
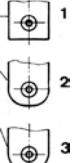
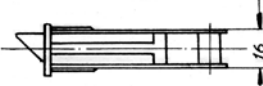
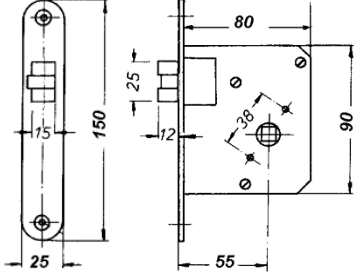

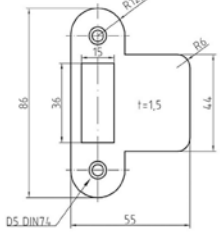

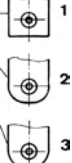
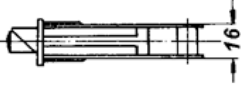
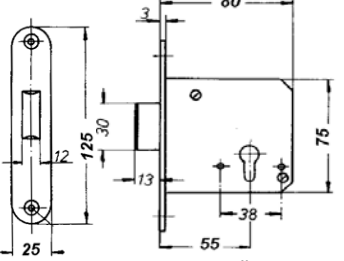
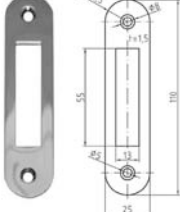
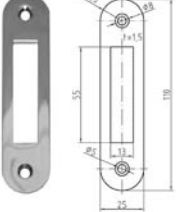




Order number	Material	Backset	Specifics	Finish
		 <p>standard is round corners; specify square or 3/8" radius otherwise</p>	 <p>Thickness lock case 5/8" or 15 mm</p>	 <p>Mortise Latch #14.220 corners type 3</p>
14.220	Brass	55 mm	Latch for 9x9 mm spindle	Polished Lacquered brass
14.221	Brass	55 mm	Latch for 9x9 mm spindle	Chrome plate brass
				
14.251	Brass		Strike plate passage lip 29 mm	Chrome plate brass
14.2511	Brass		Strike plate passage lip cut and bend 17 mm	Chrome plate brass
		 <p>standard is round corners; specify square or 3/8" radius otherwise</p>		 <p>deadbolt mortise lock #14.17Z</p>
14.17Z	Brass	55 mm	Operates through Profile Cylinder	Chrome plate brass
14.17Z1	Brass	55 mm	Operates through Profile Cylinder	Chrome plate brass
				
14.241	Brass		Strike plate dead bolt	Polished Lacquered brass
14.2411	Brass		Strike plate dead bolt	Chrome plate brass



Order number	Material		Specifics	Finish
<p>strike plate for passage lock, full size round corners</p>	Stainless steel	<p>standard round corners;</p>	<p>strike plate for passage lock, round corner</p>	
14.626	Stainless steel	specify	Strike plate passage full size lip 29 mm	Satin stainless steel
14.626I	Stainless steel	specify	Strike plate passage full size lip 29 mm	Polished stainless steel
<p>strike plate for entry lock</p>	Stainless steel	<p>standard round corners;</p>	<p>strike plate for entry lock, round corner</p>	
14.231.508	Stainless steel	specify	Strike plate entry lip 29 mm	Satin stainless steel
14.231.308	Stainless steel	specify	Strike plate entry lip 29 mm	Polished stainless steel
<p>strike plate for passage lock, long lip full size corners type 3</p>	Stainless steel	<p>standard round corners;</p>	<p>strike plate for passage lock, full size round</p>	
14.626S	Stainless steel	specify	Strike plate passage full size lip 47.5 mm	Satin stainless steel
14.626P	Stainless steel	specify	Strike plate passage full size lip 47.5 mm	Polished stainless steel
<p>strike plate for entry lock, long lip</p>	Stainless steel	<p>standard round corners;</p>	<p>strike plate for entry lock, round corner type 3</p>	
14.231S	Stainless steel	specify	Strike plate entry lip 47.5 mm	Satin stainless steel
14.231P	Stainless steel	specify	Strike plate entry lip 47.5 mm	Polished stainless steel

**WE BEND AND CUT STRIKE PLATES ACCORDING TO YOUR SPECIFICATIONS**



**18.931F SET:** Passage Classic Latch with oval escutcheon and ships lever + strike plate  
Lever handle classic, big #18.956 + oval escutcheon #18.931; half size latch #14.220  
Lever handle 107 x 42 mm; Escutcheon rose, oval: 82 x 38 mm Latch: see page 1-4-L



**10.368F SET** Classic Passage Set Full size: ; Passage latch #14.73F3  
Lever handle classic, big #18.956 + oval escutcheon #10.369; Latch: See page 1-4-G  
Lever handle 107 x 42 mm; Escutcheon plate, oval: 210 x 50 mm



10.368; skeleton key #10.369; passage #10.367; PC #10.370; privacy  
Escutcheon plate, oval: 210 x 50 mm



**#10.9345Z SET** Classic Style Entry lock with round roses and PC keyway  
Details roses see page 1-10; details lock: Page 1-4-G; Keyway: Page 0-5

Izerwaren  
Order  
numbers

**Finish:**  
All levers and escutcheons shown  
are polished chrome plated brass.

18.956 **Lever handles, Classic, large**  
107 x 42 mm

18.931 **Escutcheon rose, Classic, oval**  
82 x 38 mm

10.369 **Escutcheon plate, Classic, oval**  
210 x 50 mm; Passage

10.370 **Escutcheon plate, Classic, oval**  
210 x 50 mm; Privacy

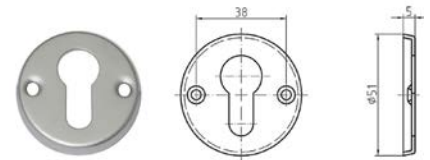
10.367 **Escutcheon plate, Classic, oval**  
210 x 50 mm; Profile Cylinder

10.368 **Escutcheon plate, Classic, oval**  
210 x 50 mm; Skeleton Key

16.9245 **Rose, Classic round, 51 mm diameter**



17.5 mm diameter hole for full size levers



16.020 **PC rose; #16.020; 51 mm diameter**



10.368W **#10.368W Privacy set Complete.**

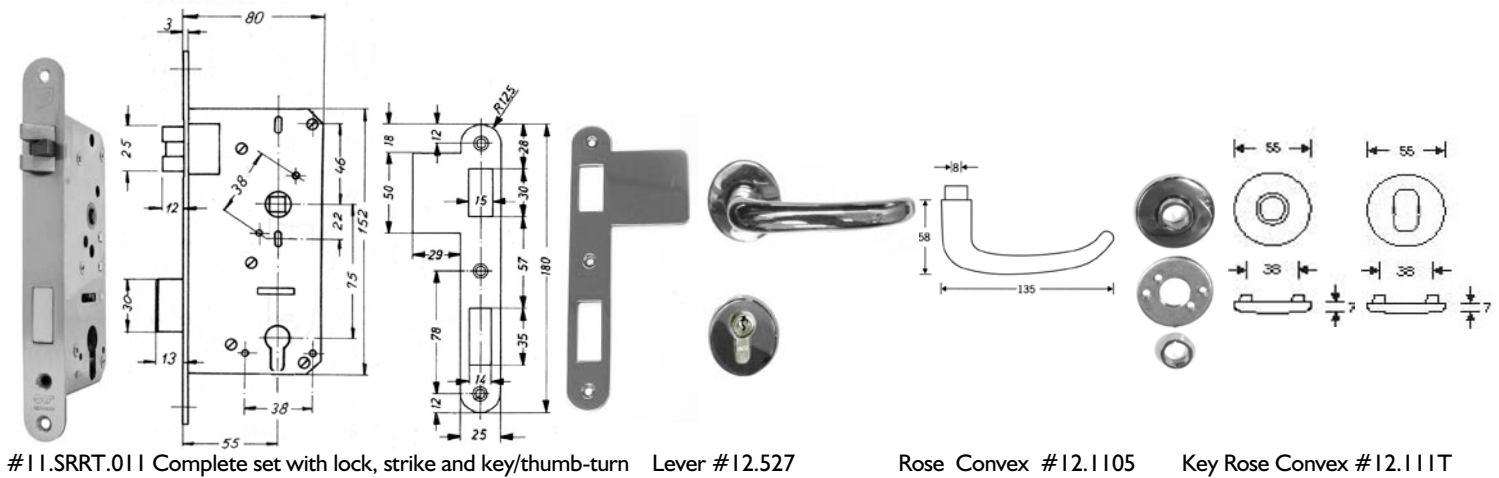
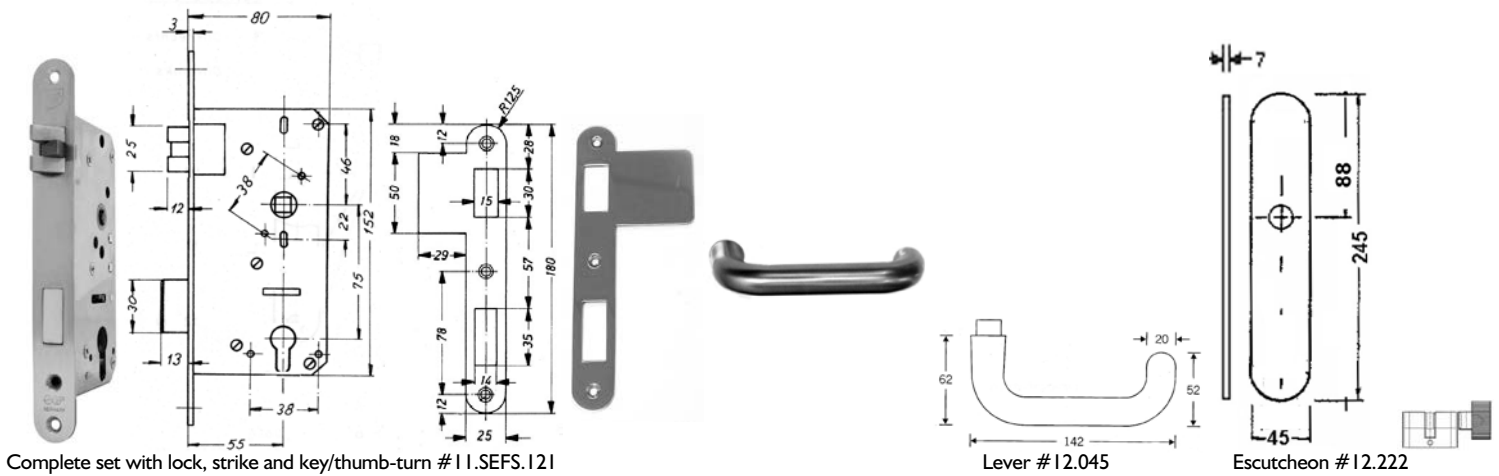
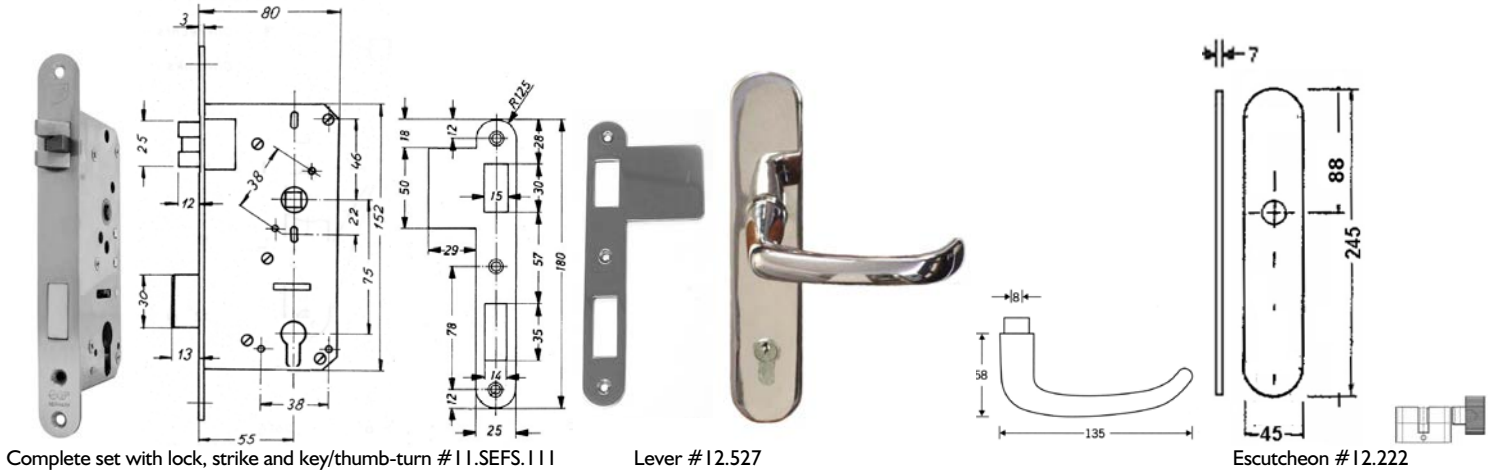


10.9345Z **Entry set Complete #10.9345Z**  
Details round roses: see Page 1-10;  
Details lock: Page 1-4-C;  
Details keyway: Page 0-5



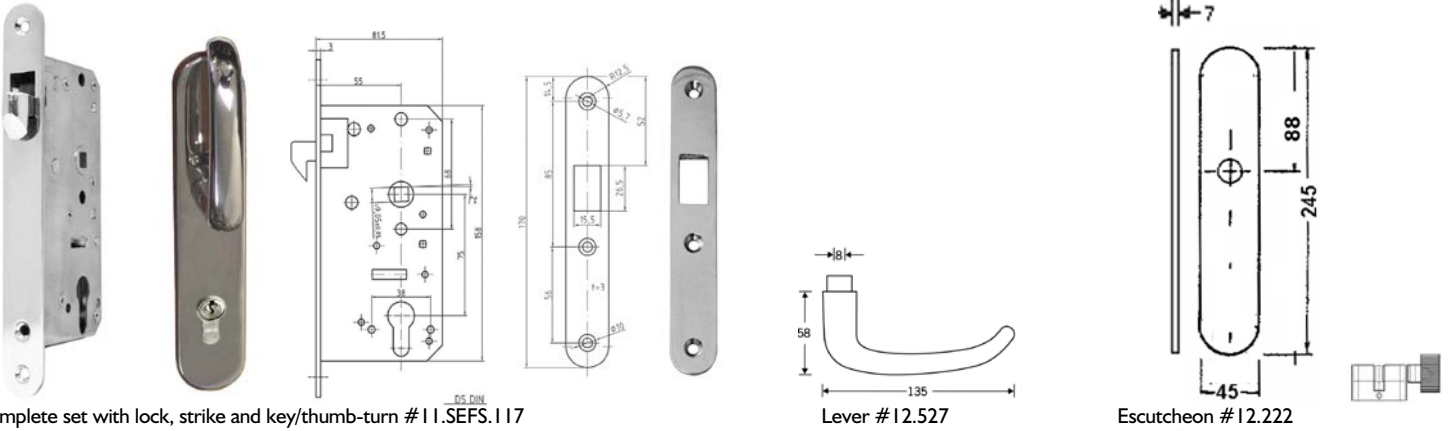
S&B and GSV Marine Door Locks, with **UPGRADE** to Mirror Polished Stainless Steel Exterior Yacht Doors.

Suitable for aluminum, wood, fiberglass and steel swinging and sliding doors. 55 mm backset





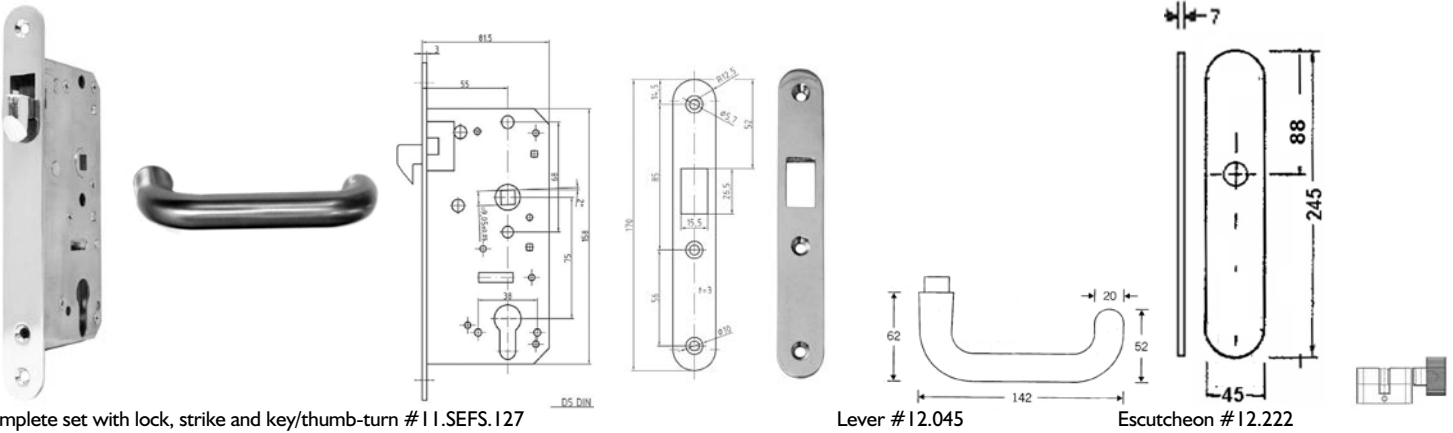
S&B and GSV Marine Door Locks, with **UPGRADE** to Mirror Polished Stainless Steel Exterior Yacht Doors.  
Suitable for aluminum, wood, fiberglass and steel swinging and sliding doors. 55 mm backset



Complete set with lock, strike and key/thumb-turn #11.SEFS.117

Lever #12.527

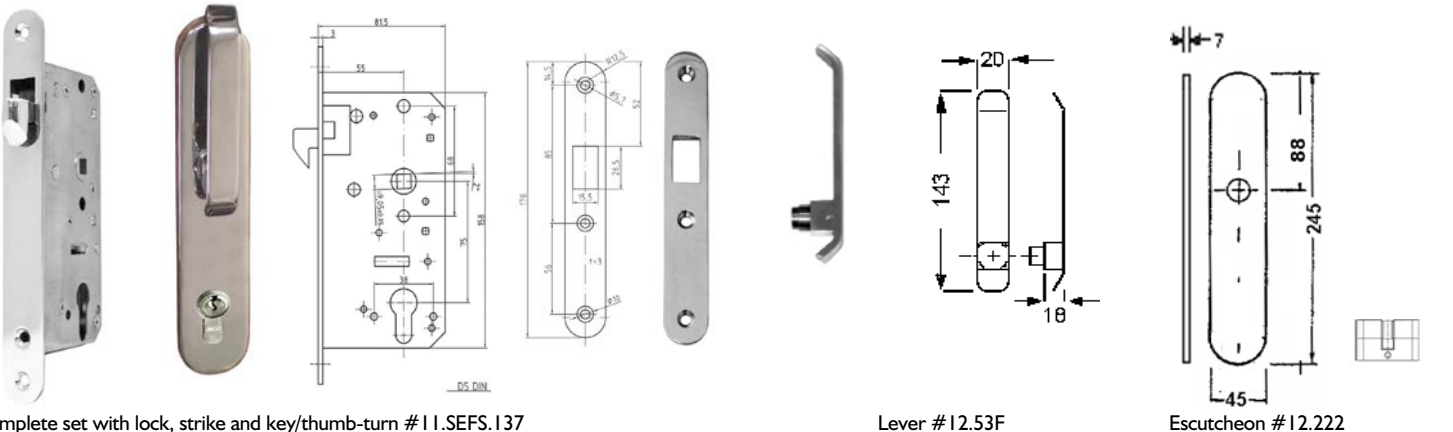
Escutcheon #12.222



Complete set with lock, strike and key/thumb-turn #11.SEFS.127

Lever #12.045

Escutcheon #12.222



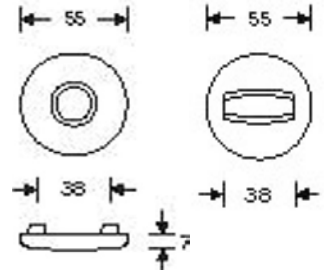
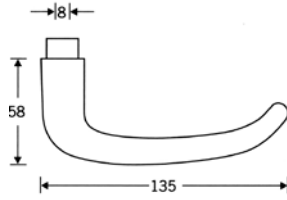
Complete set with lock, strike and key/thumb-turn #11.SEFS.137

Lever #12.53F

Escutcheon #12.222



S&B and GSV Marine Door Locks, 55 mm backset, with **UPGRADE** to Mirror Polished Stainless Steel Exterior Yacht Doors.

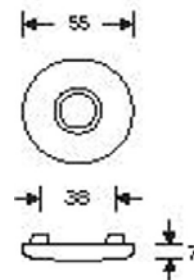
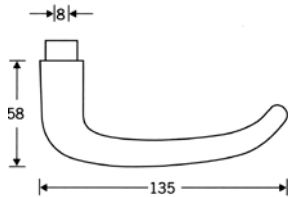


#11.SRFT.017 Complete **Privacy** Lock SET,  
#11.SRFT.027 Complete **Privacy** Lock SET,

Lever #12.527  
Lever #12.527

Rose Convex #12.110C  
Rose Flat #12.110F

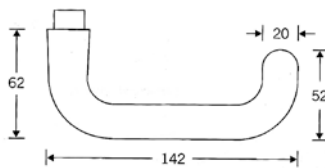
Thumb-turn  
Thumb-turn set



#11.SRFT.037 Complete **passage** lock SET

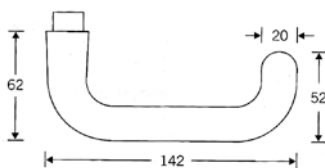
Lever #12.527

Rose Convex #12.110C



#11.SRFT.021 Complete **privacy** lock set with Lever #11.045 Lever with rose convex #12.110C

Thumb-turn/indicator set



#11.SRFT.137 Complete **passage** lock set with Lever #11.045 Lever with rose convex #12.110C



Izerwaren  
Order  
numbers

- Stainless Steel Heavy Duty Mortise Lock
- Backset 65 mm
- Standard finish: Satin stainless steel
- Option: Mirror Polished Stainless Steel



Entry lock set #14.3127ZE 65 mm backset

14.3127ZE **Set:** Entry Door Mortise Lock: Levers, escutcheons, strike plate and profile cylinder

14.3127 Entry Door Mortise Lock separate  
Lock case: 97 mm x 164 mm x 16 mm  
Backset 65 mm PC= 72 mm  
Front plate 235 x 24 mm  
For 9x9 mm spindle

14.0031 Strike plate entry separate stainless steel

14.3127ZR **Set:** Entry Door Mortise Lock : Levers, roses, strike plate and profile cylinder



Entry lock set #14.3127ZR 65 mm backset

#14.3127 Entry lock heavy duty

14.3178WR **Set:** Privacy Door Mortise Lock: Levers, roses, Thumb-turn/indicator with roses, strike plate.

14.3178 Privacy Door Mortise Lock separate  
Lock case: 97 mm x 164 mm x 16 mm  
Backset 65 mm WC= 72 mm  
Front plate 235 x 24 mm  
For 9x9 mm spindle



Privacy lock set #14.3178WR 65 mm backset

14.3189FR **Set:** Passage Door Mortise Lock: Levers, roses

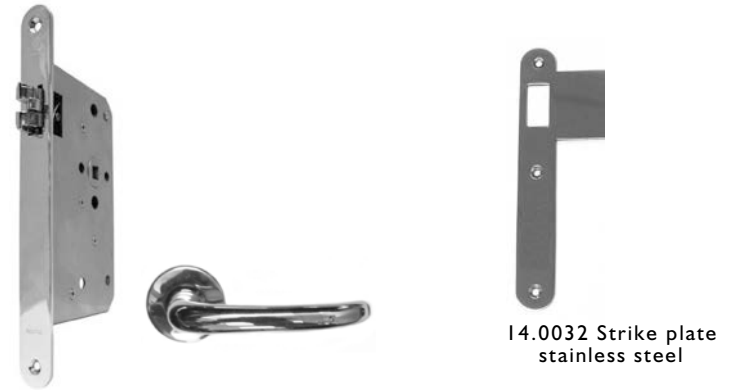
14.3189 Passage Door Mortise Lock separate  
Lock case: 97 mm x 164 mm x 16 mm  
Backset 65 mm stainless steel  
Front plate 235 x 24 mm

14.0032 **Strike plate** Passage stainless steel

12.527 Lever # 12.527; 135 mm long; stands off 58 mm  
Stainless steel

12.110S Rose #12.110S; 55 mm diameter  
Stainless steel fire rated

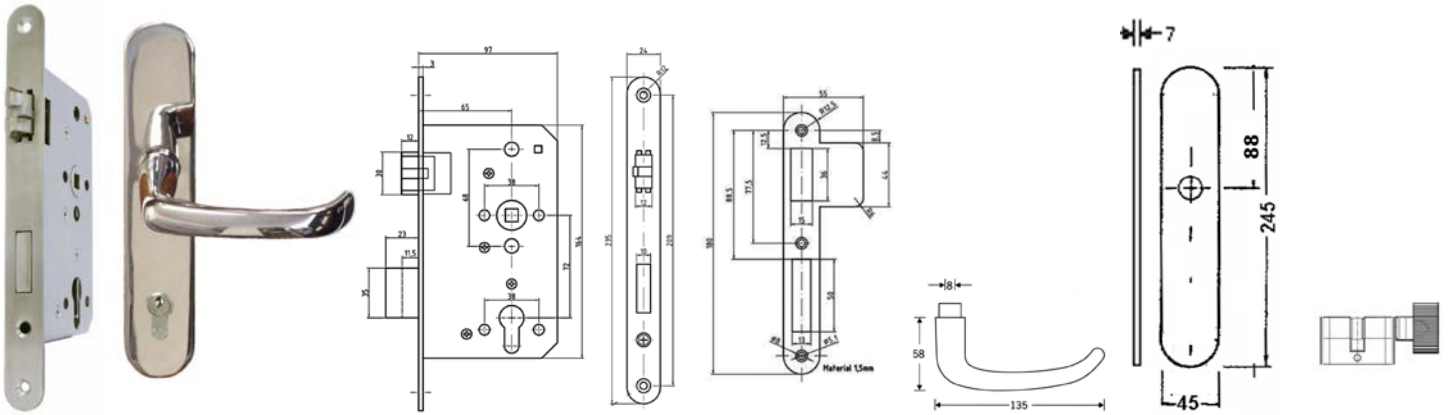
12.222 #12.222 Escutcheon 45 x 245 mm  
Stainless steel; escutcheon available for entry,  
privacy and passage set up



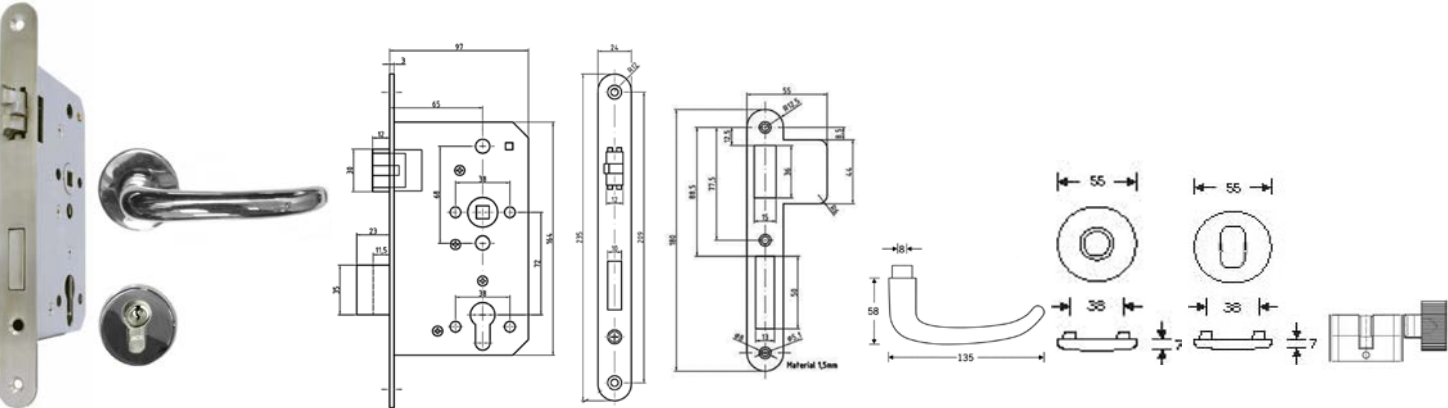
Passage lock set #14.3189FR 65 mm backset

14.0032 Strike plate stainless steel

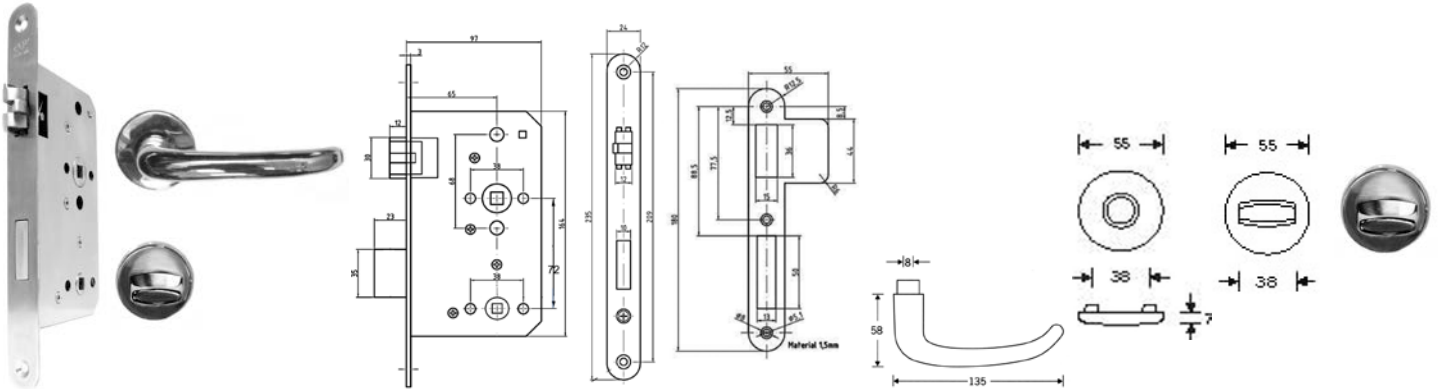
For profile cylinder specifics:  
see page 0-5



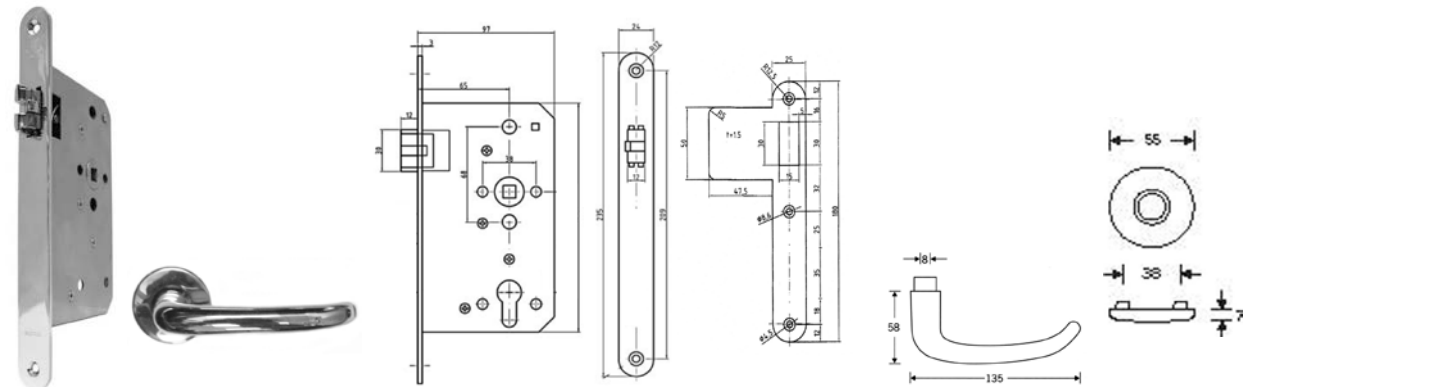
Entry lock set #14.3127ZE 65 mm backset with lever and escutcheons and keyway



Entry lock set #14.3127ZR 65 mm backset with lever and convex roses and keyway /thumb-turn



Privacy lock set #14.3178WR 65 mm backset with lever and convex roses and thumb-turn / indicator



#14.3189FR Passage lock 65 mm backset with lever and convex roses







Izerwaren  
Order  
Numbers

- Brass rim lock, backset 37 mm - 1 1/2"
- BPC polished chrome plated brass only

15.656

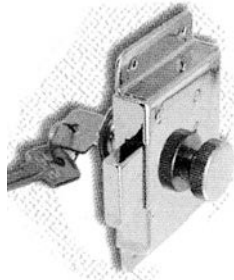
**Entry Rim dead bolt lock with round cylinder. For 3/4" thick doors**

15.837

**Strike Box**

15.656S

**Strike Plate**



Deadbolt rim lock #15.656  
Backset 1 1/2" Cylinder Key/knob

15.452

**Rim Latch**

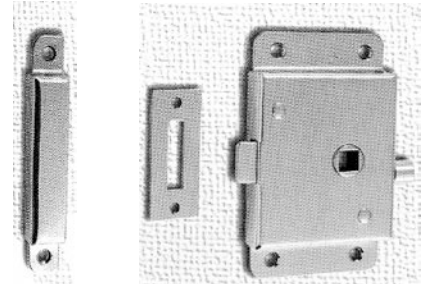
**Backset 1 1/2'**

15.837

**Strike box separate**

15.656S

**Strike plate separate**



Rim Latch # 15.452; Backset 1 1/2'  
Strike box separate # 15.837  
Strike plate separate: # 15656S

15.475

**Entry Rim Lock with cylinder key**

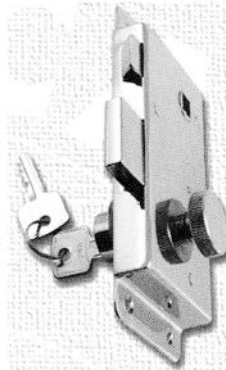
For 8 x 8 mm spindle /door lever handles

15.842

**Strike Box**

15.484S

**Strike Plate**



Entry Rim Lock #15.475  
backset 1 1/2" Cylinder Key/Knob  
Strike box separate # 15.842  
Strike plate separate: # 15484S

15.026

**Privacy Rim Lock**

Case:

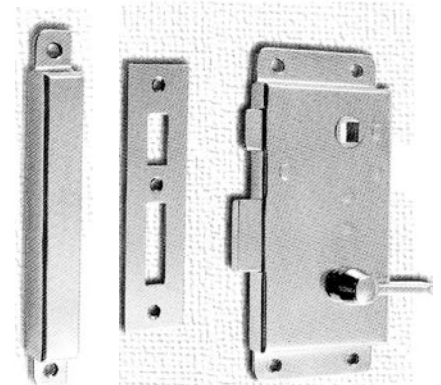
8 x 8 mm spindle for lever handles

15.842

**Strike Box**

15.484S

**Strike Plate**



Privacy Rim Lock # 15.026 backset 1 1/2"  
Strike box separate # 15.842  
Strike plate separate: # 15484S

15.71Z

**Dead Bolt Rim Lock round cylinder**

(3271Z) 25 mm back set

Case: 60 mm x 78 mm x 12 mm thick

15.924

(924) **strike Box**

05.522

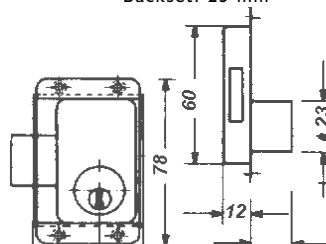
**Round cylinders 23 mm**

series #690; 23 x 20 / 25 / 30 mm long

Specify door thickness



Dead bolt Rim Lock #15.71Z  
Backset: 25 mm



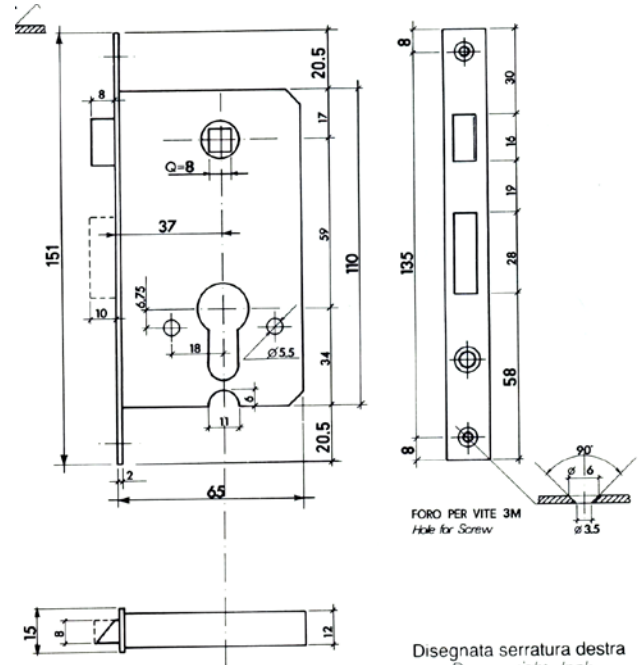
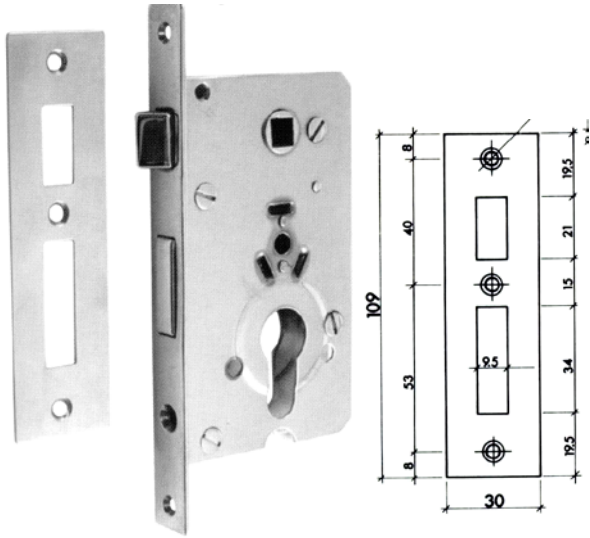
Dead bolt Rim Lock # 15.71Z  
25 mm backset



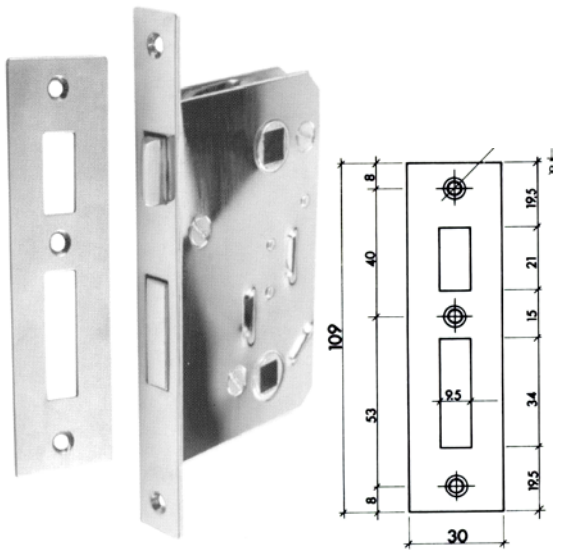
Lever # 18.740, rose # 16.924  
See page 1-10 for more trim set options



**NEW!** R & C SWINGING DOOR LOCKS FOR SMALL DOORS MINIMUM DOOR THICKNESS 1 INCH

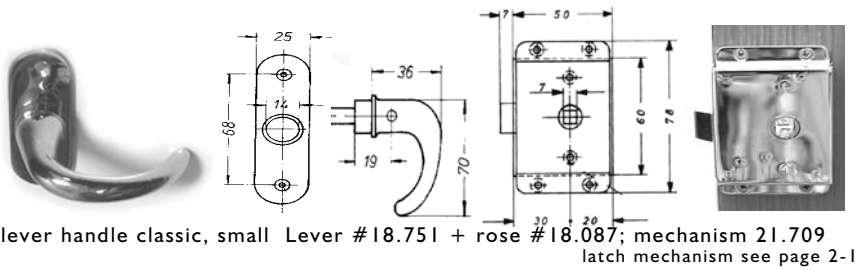


18.3483 SET with escutcheons and levers; Entry Lock; 37 mm (1 1/2) backset.  
 Face plate: 151 x 15 x 2 mm; Lock case: 110 high x 65 wide x 12 mm thick. Center to Center PC: 59  
 Escutcheon plate: mm, Lever mm long overall.  
 Marine grade; stainless steel and brass chrome plated parts.

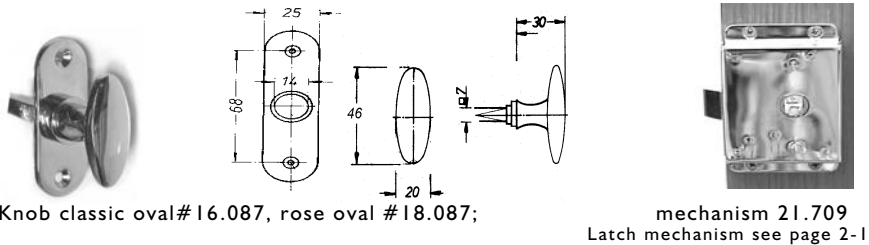


18.3474 SET with escutcheons and levers; Entry Lock; 37 mm (1 1/2) backset.  
 Face plate: 133 x 15 x 2 mm; Lock case: 93 high x 55 wide x 12 mm thick. Center to Center spindle hole: 62 mm  
 18.3819 Escutcheon plate: 135 x 25 mm, 18.3485 Lever 84 x 38 mm long overall.  
 Marine grade; stainless steel and brass chrome plated parts.

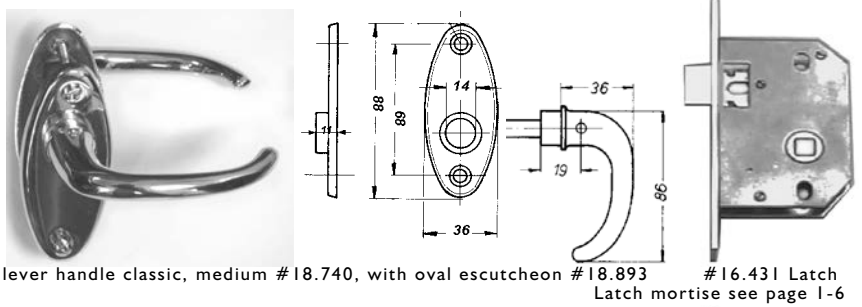
- #18.348337 Entry lock separate
- #18.3472 Strike plate for entry lock separate
- #18.3485 Levers pair separate
- #18.3840 Escutcheons for entry lock separate
- #18.347437 Privacy latch separate
- #18.3472 Strike for privacy latch
- #18.3819 Escutcheons for privacy lock separate
- #18.402337 Passage latch; 18.3818 passage escutcheons; (latch not showing)



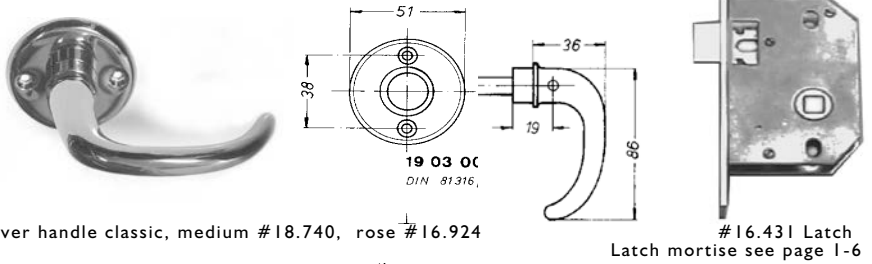
lever handle classic, small Lever #18.751 + rose #18.087; mechanism 21.709 latch mechanism see page 2-1



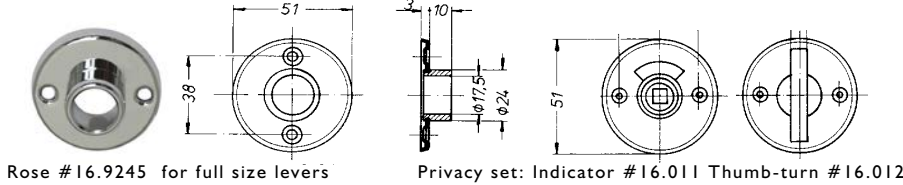
Knob classic oval #16.087, rose oval #18.087; mechanism 21.709 Latch mechanism see page 2-1



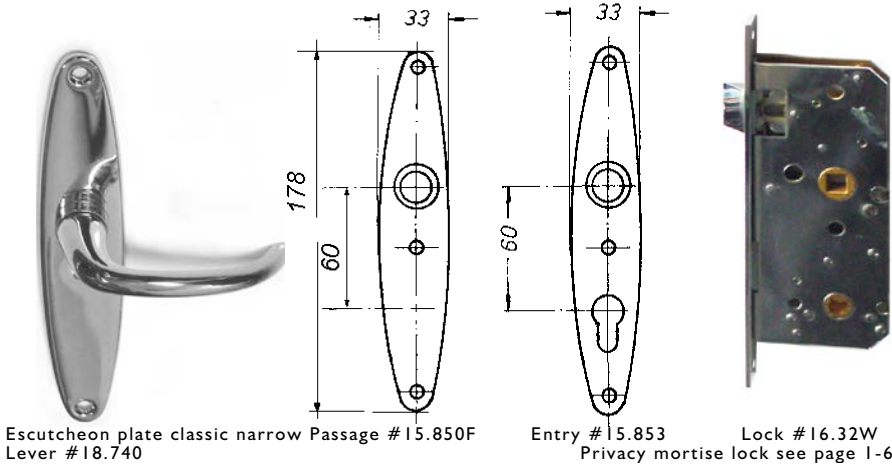
lever handle classic, medium #18.740, with oval escutcheon #18.893 #16.431 Latch Latch mortise see page 1-6



Lever handle classic, medium #18.740, rose #16.924 #16.431 Latch Latch mortise see page 1-6



Rose #16.9245 for full size levers Privacy set: Indicator #16.011 Thumb-turn #16.012



Escutcheon plate classic narrow Passage #15.850F Lever #18.740 Entry #15.853 Lock #16.32W Privacy mortise lock see page 1-6

Order numbers

- Classic brass trim fittings for brass locks
- BPC polished chrome plated brass
- BSC satin chrome plated brass
- BP polished brass

- 18.751 **Lever handles, Classic, small** 70 x 36 mm, 7x7 mm spindle
- 18.087 **Escutcheon plates w. round corners** 58 x 25 mm; For small lock series on page: 1-7,8.



- 16.087 **Knob oval, #16.087;** 7 x 7 mm spindle
- 16.924 **Round rose** 51 mm; #16.924 hole: 14 mm diameter

- 18.740 **Lever handles, Classic, medium** 86 x 36 mm; 8 x 8 mm spindle
- 18.893 **Escutcheon rose, Classic, oval** 88 x 36 mm For medium and small door handles and lock series on page: 1-5, 6, 7, 8.

- 16.9245 **Rose, Classic round, 51 mm diameter**
- 17.5 mm diameter hole for full size levers

- 16.011 **Thumb-turn / indicator w. roses, set** (see below)
- 16.012
- #16.011
- #16.012

- 16.020 **Escutcheon rose for profile cylinder** 51 mm diameter (see below)
- #16.020; PC rose; 51 mm diameter

- 15.850F **Escutcheon Classic Narrow, Oval** 178 x 33 mm; Passage model, pair
- 15.850W **Escutcheon Classic Narrow, Oval** 178 x 33 mm; Privacy model, pair
- 15.853 **Escutcheon Classic Narrow, Oval** 178 x 33 mm; PC Entry model, pair
- 15.851 **Escutcheon Classic Narrow, Oval** 178 x 33 mm; Skeleton Key model, pair
- 18.740 **Lever handles, Classic, medium;** 88 x 36 mm 8 x 8 mm spindle



**IZERWAREN BUDGET SETS FOR DOORS WITH A MINIMUM THICKNESS OF 1 1/8"**

izerwaren  
Order  
numbers

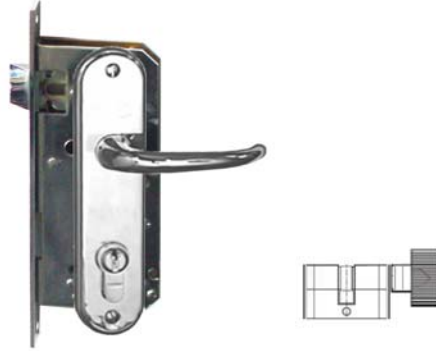
- Minimum door thickness 28 mm 1 1/8"
- BPC polished chrome plated brass
- BSC satin chrome plated brass

**Mortise locks with  
backset of 1 9/16"**

16.30Z **SET: Entry set with levers + escutcheons  
Strike plate and keyway**

16.421 Entry Mortise Lock separate  
Center spindle hole to center key hole: 60 mm  
Case: 70 mm x 152 mm x 15/10.5 mm thick  
Front plate 200 x 20 mm  
For 8x8 mm spindle / door lever handles

16.224 Strike plate for entry lock



#16.224 strike plate

Entry Set: 16.30Z; 40 mm backset

16.30W **SET: Privacy Mortise Lock with levers,  
escutcheons, thumb-turn/ indicator**

16.401 Privacy Mortise Lock separate  
Center spindle hole to center key hole: 60 mm  
Case: 70 mm x 152 mm x 15/10.5 mm thick  
Front plate 200 x 20 mm  
8 x 8 mm spindle for lever handles  
7 x 7 mm spindle for thumb-turn

16.224 Strike plate for privacy lock



#16.224 strike plate

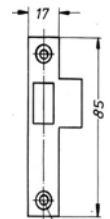
Privacy set: 16.30W; 40 mm backset  
With thumb-turn / indicator

16.30F **SET: Passage Mortise Latch with levers and  
escutcheons**

16.431 Passage Mortise Latch  
Case: 70 mm x 152 mm x 15/10.5 mm thick  
Front plate 200 x 20 mm  
8 x 8 mm spindle for lever handles

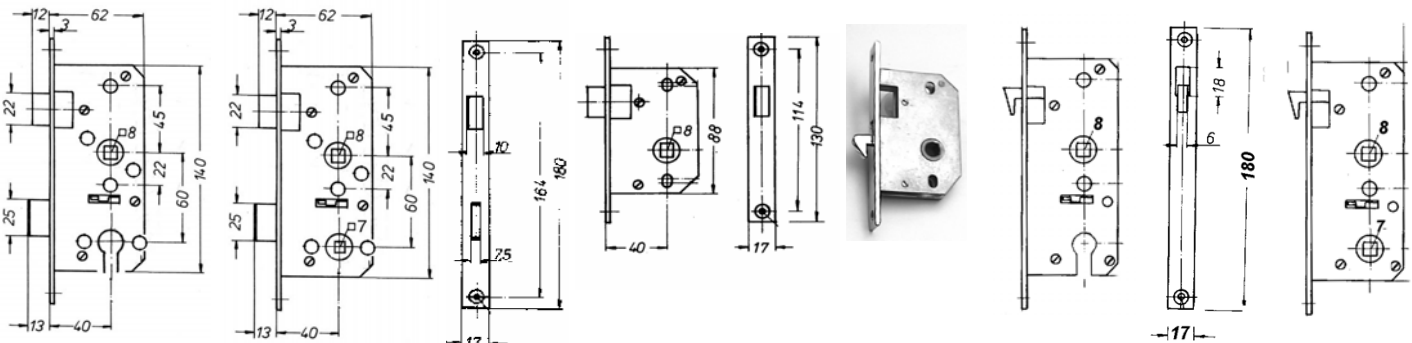
16.225 Strike plate for passage latch

05.407 Profile cylinder key-knob  
Short: 26-26 mm with knob; See page 1-5 for details



#16.225 strike plate for  
passage latch

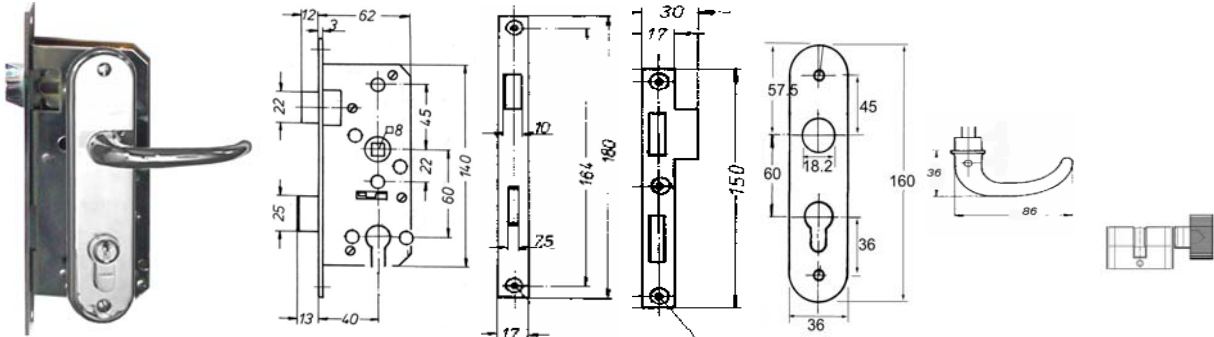
Passage set: 16.30F; 40 mm backset



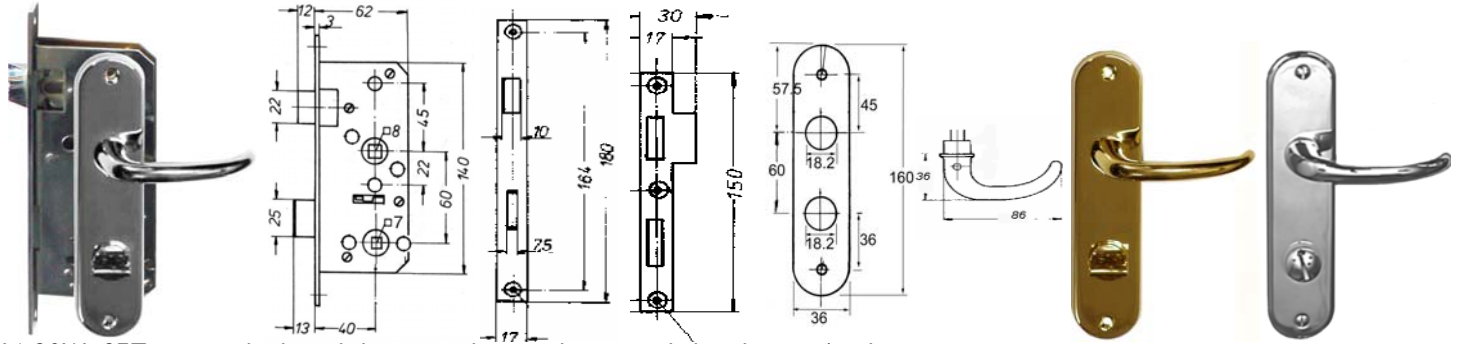
#16.421 key entry #16.401 privacy #16.431 passage #14.891 sliding passage #14.481 sliding key #14.471 sliding WC

Mortise locks light duty separate. For light duty **sliding** door lock sets, please see page 1-6-0; 1-6-0-A and 1-14.

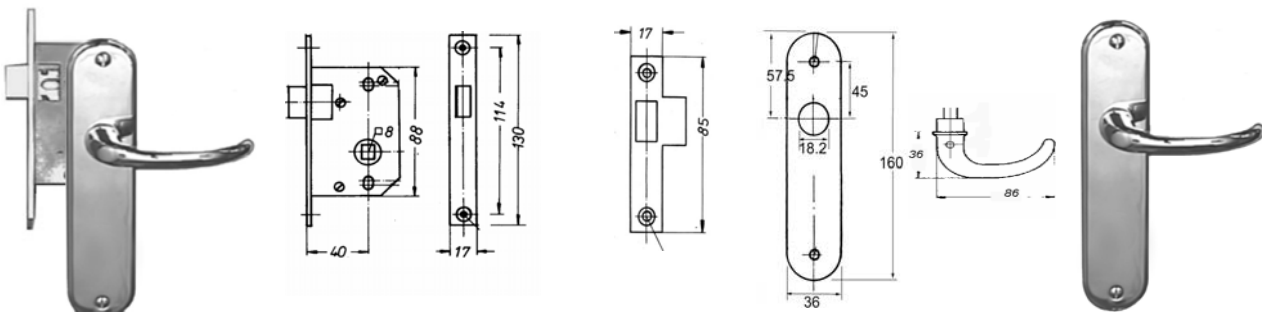
**FOR DETAILS AND MORE FUNCTIONS FOR BUDGET TRIM SETS, SEE PAGE 1-6-0 AND 1-6-A**



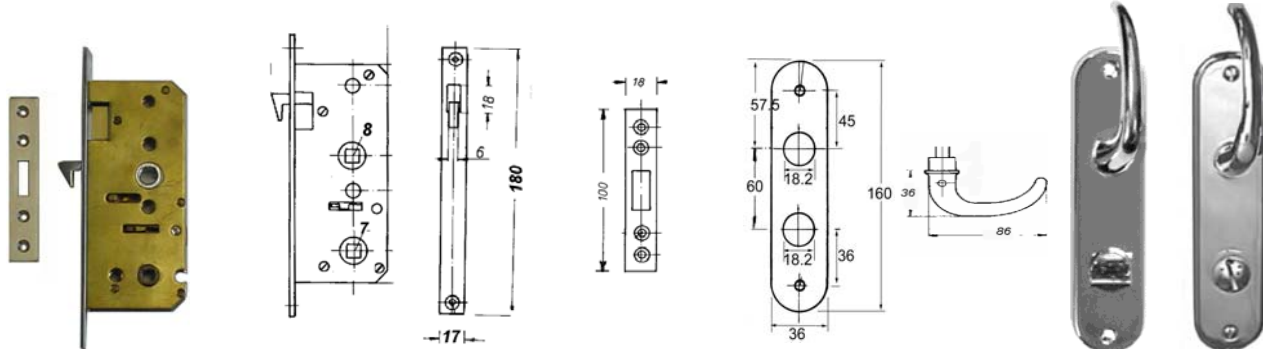
16.30Z; SET entry key lock with levers and escutcheons and profile cylinder with keyway / thumb-turn



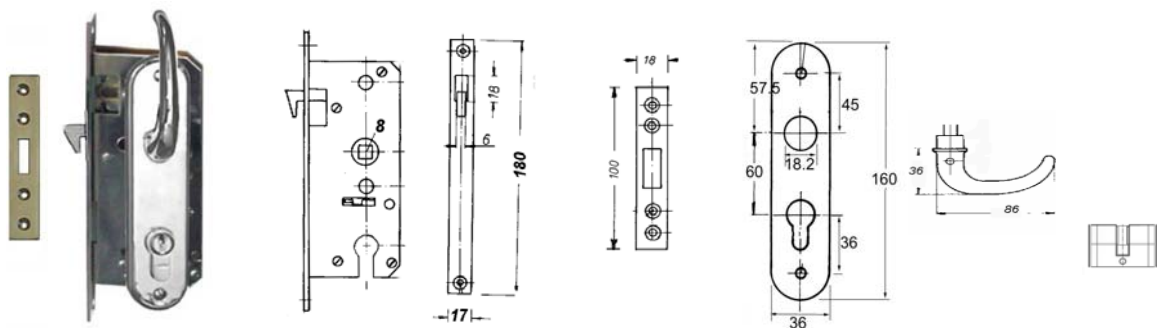
16.30W; SET privacy lock with levers and escutcheons and thumb-turn / indicator



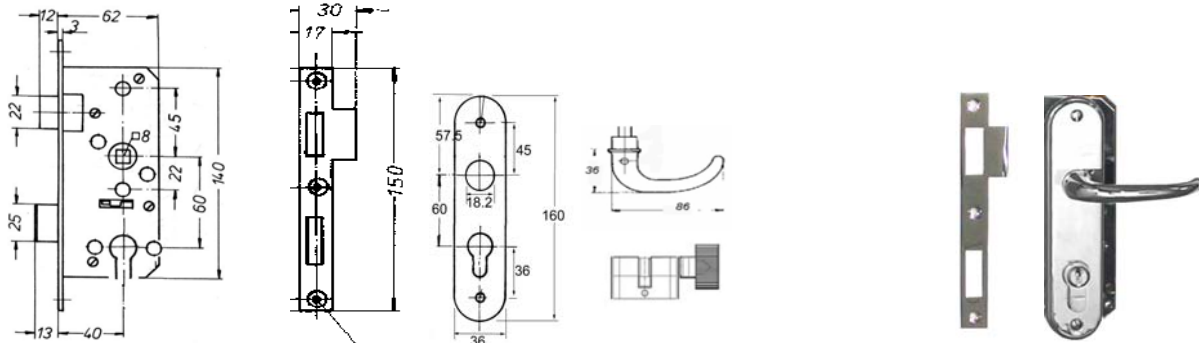
16.30F; SET passage latch with levers and escutcheons



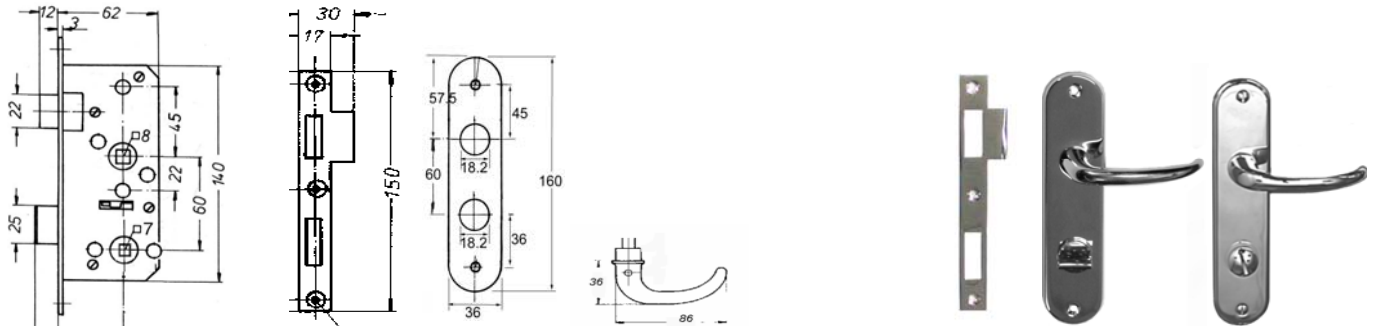
Privacy SET: # 16.3SW; with escutcheons, levers and thumb-turn indicator  
**MINIMUM DOOR THICKNESS: 1 1/8"**



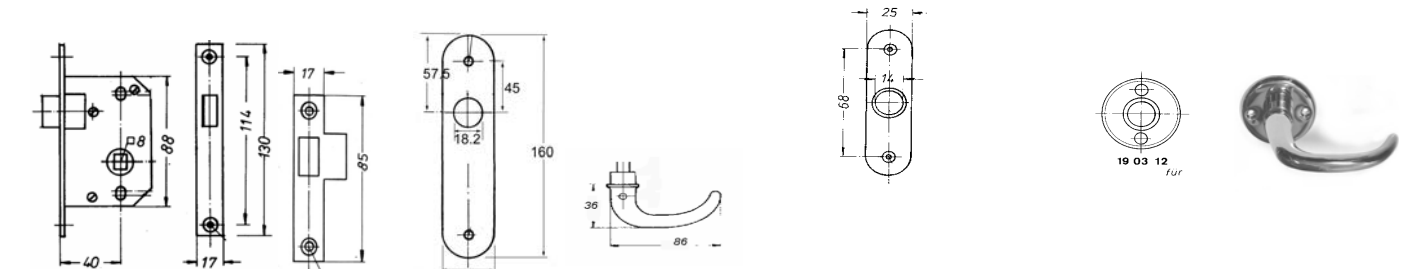
Entry SET: # 16.3SZ entry sliding door lock  
**MINIMUM DOOR THICKNESS: 1 1/8"**



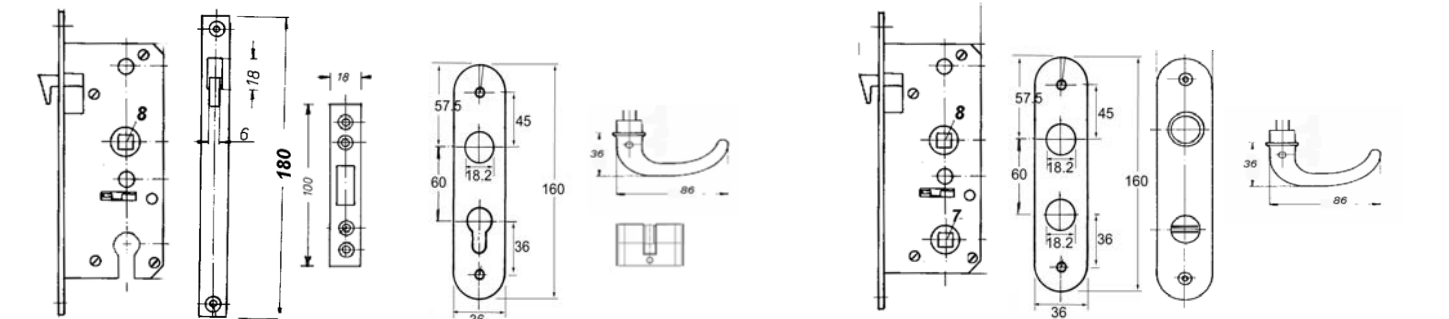
16.421 entry lock for PC 16.224 strike 16.16Z escutcheons 16.740 levers 05.407 PC Keyway



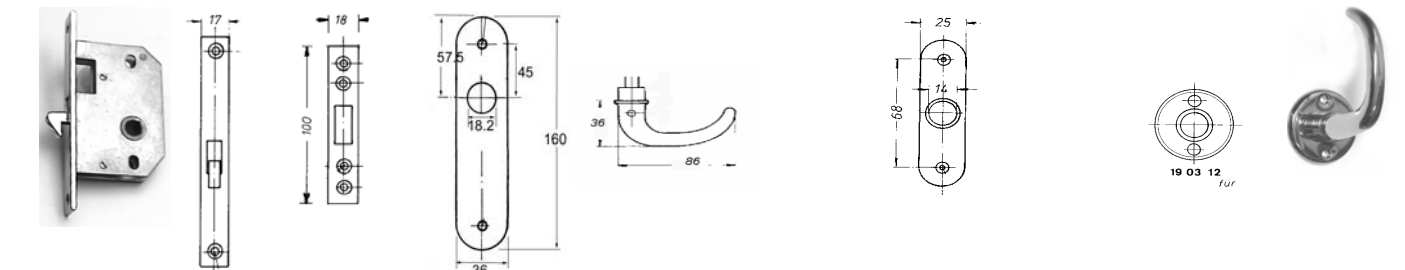
16.401 privacy lock; 16.224 strike 16.16W escutcheons 16.740 levers + thumb-turn / indicator: 16.89M + 16.99M



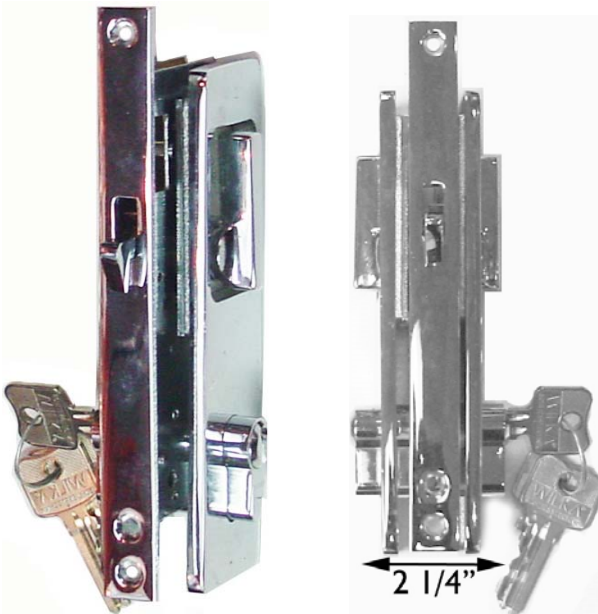
16.431 passage latch 16.225 strike 16.16F plates 16.740 levers 18.087 oval rose #16.924 rose 50 mm diameter;



14.481 entry sliding lock PC 14.48S strike 16.16Z plates 16.740 levers 14.471 WC 16.16WC pair 16.740 Levers 05.407 Keyway 26/26 mm 16.89M + 16.99M thumb-turn /indicator



14.891 passage sliding latch; 14.48S strike; 16.16F plates; 16.740 levers; 18.087 oval rose; #16.924 rose 50 mm diameter;



Entry SET #16.99Z with Profile cylinder keyway  
**MINIMUM DOOR THICKNESS: 1"**;



SET: #16.99W privacy with knob / indicator  
**MINIMUM DOOR THICKNESS: 1"**;



SET: #16.99F Passage pocket door latch  
**MINIMUM DOOR THICKNESS: 1"**;  
**FOR DETAILS SEE PAGE 1-6-0; 1-6-A; 1-6-B**

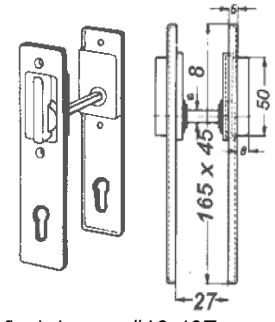
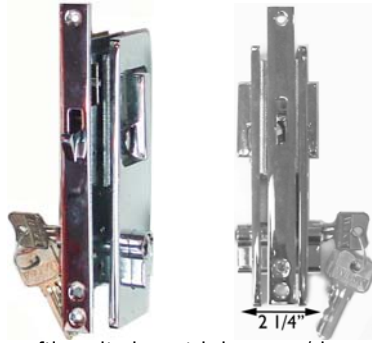
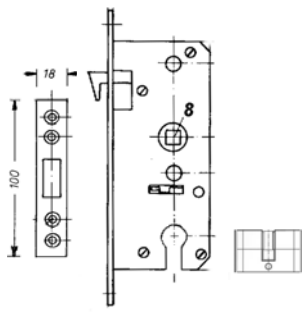


Privacy SET: #16.78W; Pocket door set w. flush levers  
**MINIMUM DOOR THICKNESS: 1 1/8"**;  
**FOR DETAILS SEE PAGE 5-2-D**



SET: #13.R95; Sliding Lock with Privacy function; Flap lever inside, indicator outside  
**MINIMUM DOOR THICKNESS: 1 1/5"**; size square cups: 2 1/6" x 2 1/16".  
**FOR DETAILS SEE PAGE 1-13-H; 1-13-I and 5-1-C and 5-2-E**

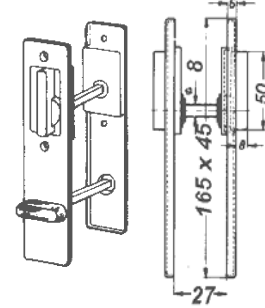
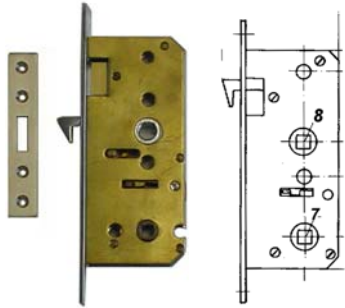




Entry SET: #16.99Z; for entry pocket door; and profile cylinder with keyway / keyway

with flush levers #12.49Z

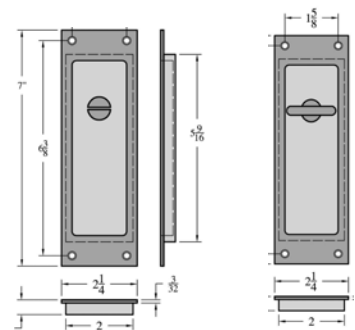
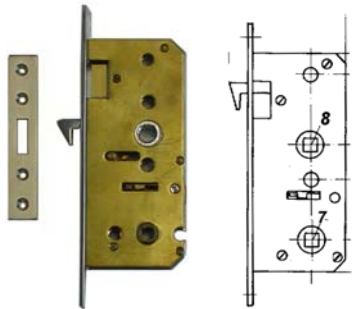
**MINIMUM DOOR THICKNESS: 1"; Levers Extend 9/16" from surface on each side of door; key way width is 2 1/4"**



SET: #16.99W for pocket doors

with flush levers #12.49W

**MINIMUM DOOR THICKNESS: 1"; Levers Extend 9/16" from surface on each side of door**

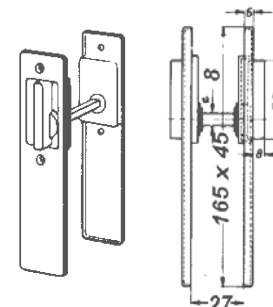
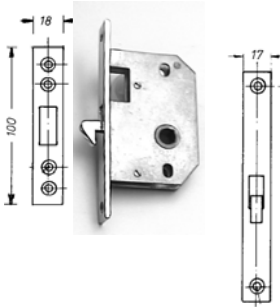


Privacy SET: #16.78W; Pocket door set w. flush levers

#13.CSE set thickness plates each: 1 1/32" or 8.74 mm

**MINIMUM DOOR THICKNESS: 1 1/8";**

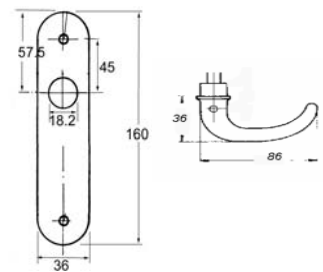
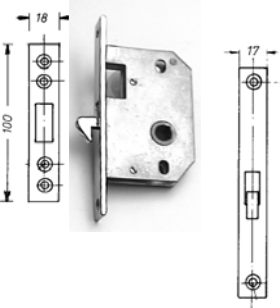
**Lever extend 5/16" from surface on each side of door**



SET: #16.99F for pocket doors

with flush levers #12.49F

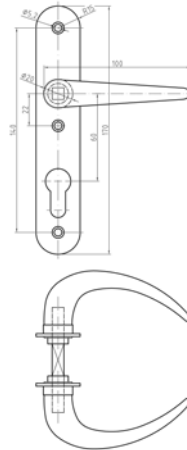
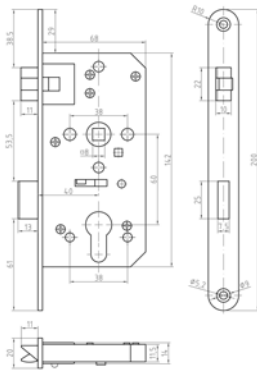
**MINIMUM DOOR THICKNESS: 1"; Levers Extend 9/16" from surface on each side of door**



SET: #16.3SF sliding passage lock;

**MINIMUM DOOR THICKNESS: 1 1/8";**

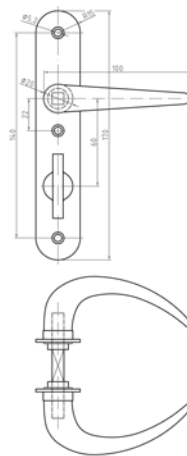
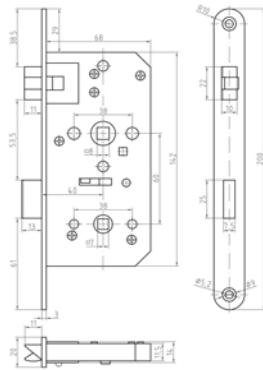
with escutcheon 16.16F Lever 16.740



16.S04Z SET 40 mm backset Entry Marine Lock.

#12.59Z Trim set separately. #05.488.266 keyway (PC) separate

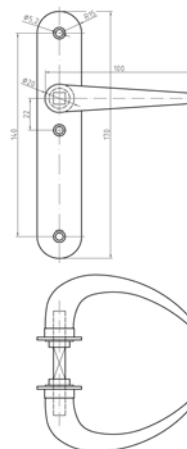
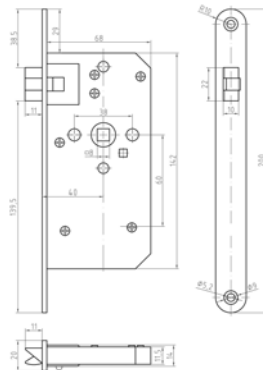
**Marine Locks for min. 1" thick doors with a max. weight of 100 lbs.  
1 1/2" backset; lock case: 2 3/4" x 5 5/8"**



16.S04W SET 40 mm backset Privacy Marine Lock.

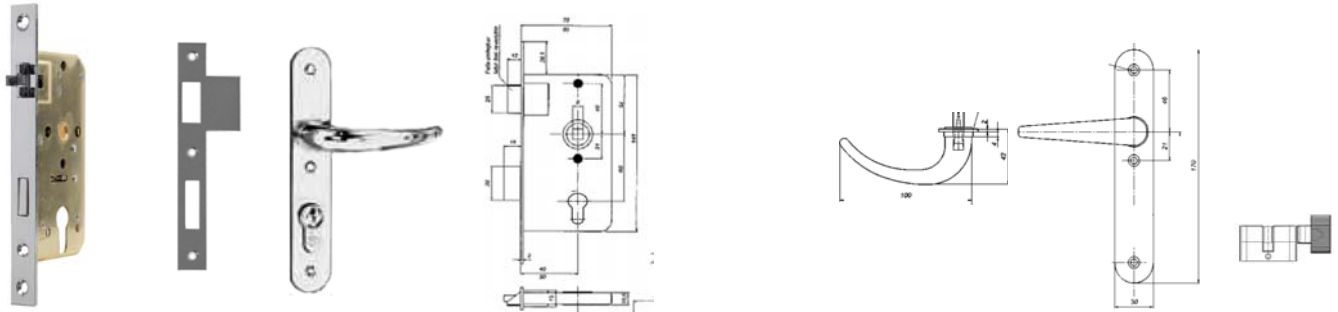
#12.59W Trim set separately.

Indicator / emergency release  
Option 1: for operating with spanner key #14.529  
Option 2: slotted head operate with screwdriver



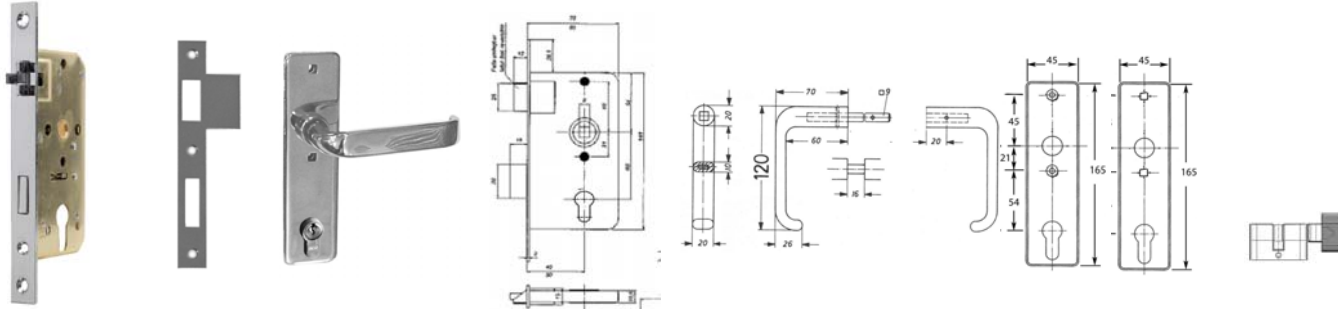
16.S04F SET 40 mm backset Passage Marine Lock.

#12.59F Trim set separately.



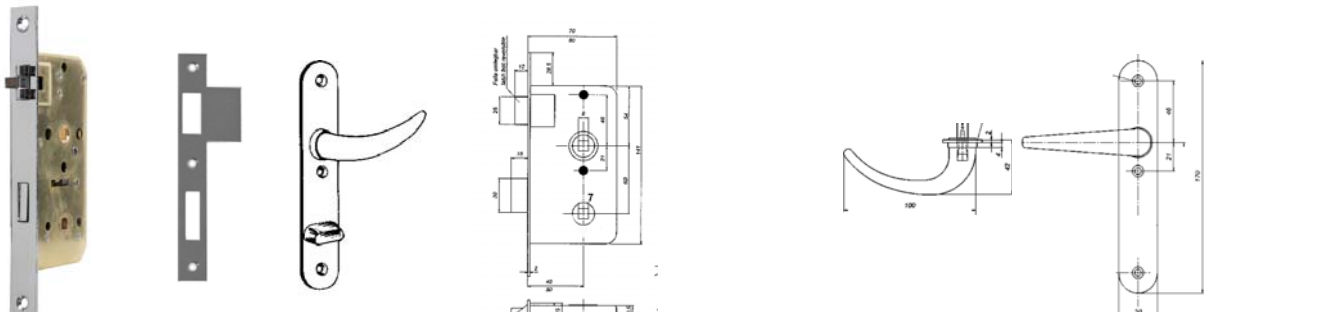
SET: 16.S04Z Entry lockset 40 mm backset with standard escutcheon and lever, keyway and strike.

SET: 16.S05Z Entry lockset 50 mm backset with standard escutcheon and lever, keyway and strike.



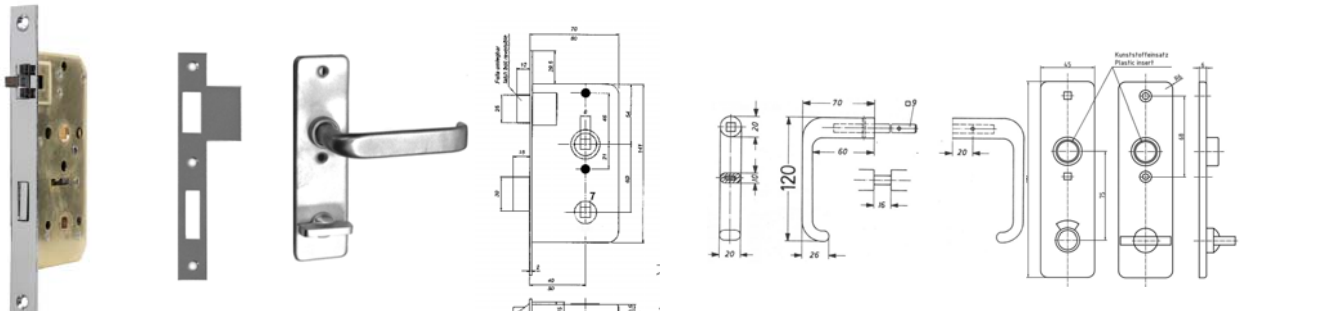
SET: 16.R04Z Entry lockset 40 mm backset with rectangular escutcheon and half sable lever, keyway and strike.

SET: 16.R05Z Entry lockset 50 mm backset with rectangular escutcheon and half sable lever, keyway and strike.



SET: 16.S04W Privacy lockset 40 mm backset with standard escutcheon and lever, thumb-turn and indicator

SET: 16.S05W Privacy lockset 50 mm backset with standard escutcheon and lever, thumb-turn and indicator,



SET: 16.R04W Privacy lockset 40 mm backset with rectangular escutcheon and half sable lever, thumb-turn and indicator

SET: 16.R05W Privacy lockset 50 mm backset with rectangular escutcheon and half sable lever, thumb-turn and indicator

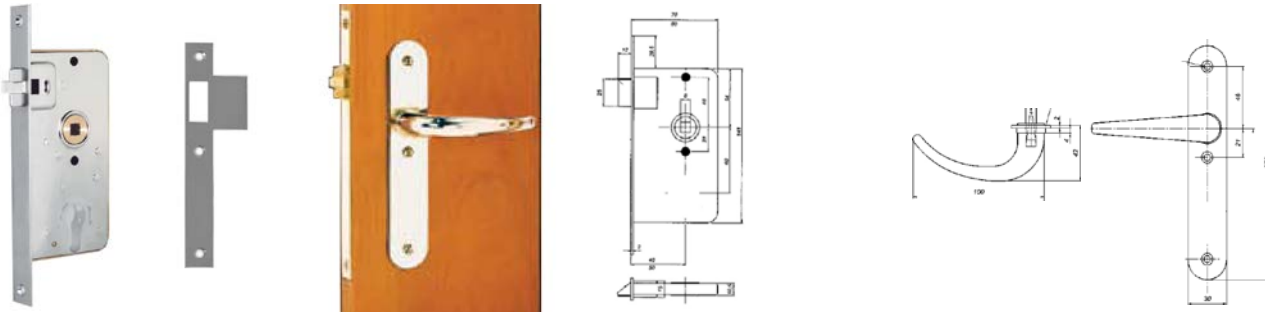


16.S04Z SET:

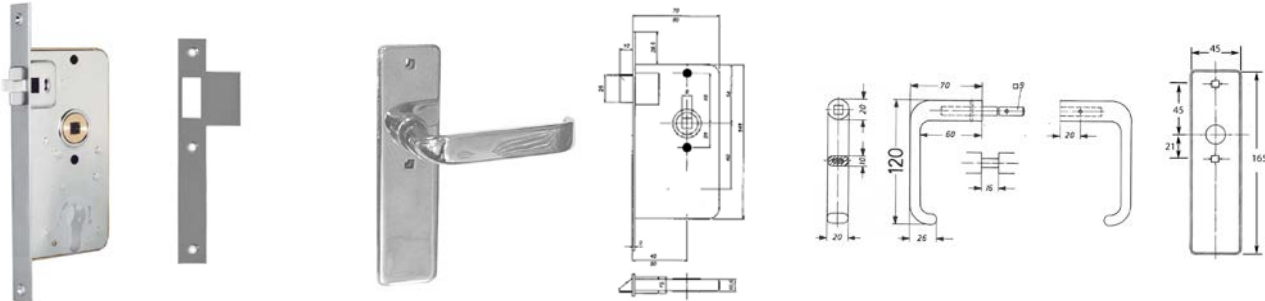
16.S04W SET:

16.S04F SET

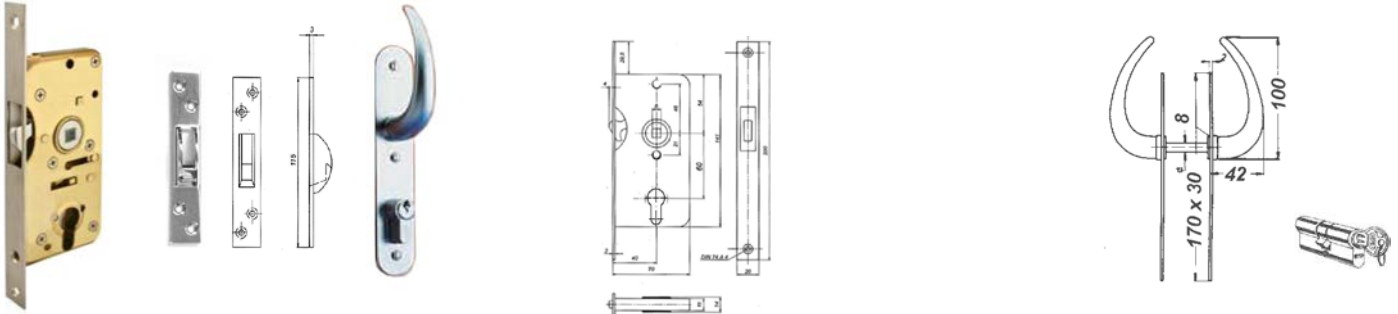
16.R04F Passage Lock separate



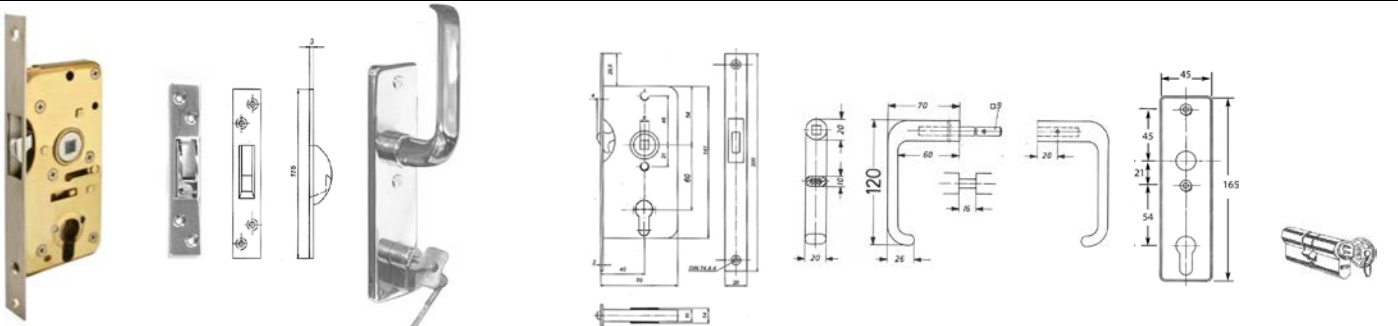
SET: 16.S04F Passage lockset 40 mm backset with standard escutcheon and lever, keyway and strike.  
SET: 16.S05F Passage lockset 50 mm backset with standard escutcheon and lever, keyway and strike.



SET: 16.R04F Passage lockset 40 mm backset with rectangular escutcheon and half sable lever, keyway and strike.  
SET: 16.R05F Passage lockset 50 mm backset with rectangular escutcheon and half sable lever, keyway and strike.



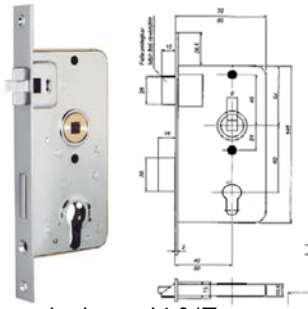
SET: 16.S69Z Sliding Entry lockset 40 mm backset with standard escutcheon and lever, keyway and strike.



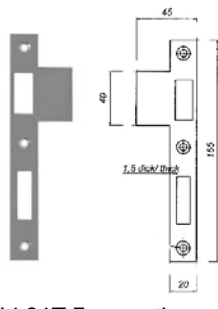
SET: 16.R69Z Sliding Entry lockset 40 mm backset with standard escutcheon and lever, keyway and strike

**Custom Trim Upgrades: Please inquire with our office;**

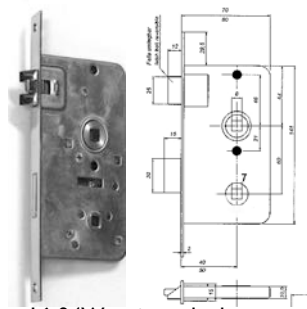
**PHONE: 954-763-6686 EMAIL: SALES@IZERWAREN.COM**



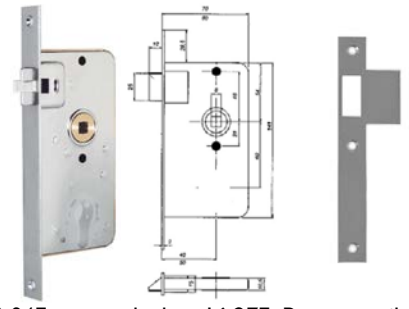
40 mm backset: 16.04Z entry  
50 mm backset: 16.05Z entry



16.26Z Entry strike  
16.26Z Entry strike



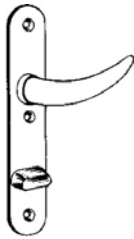
16.04W privacy lock  
16.05W privacy lock



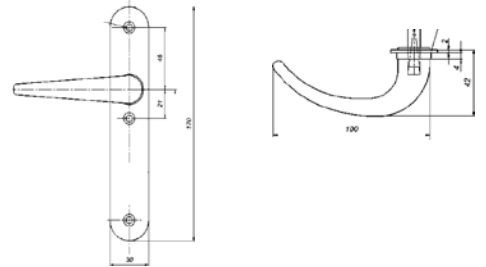
16.04F passage lock 16.27F Passage strike  
16.05F passage lock 16.27F Passage strike



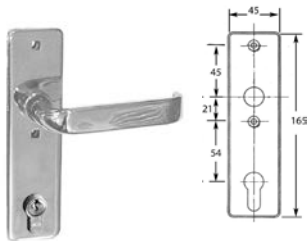
12.59Z trim set for profile cylinder



12.59W trim set for privacy lock



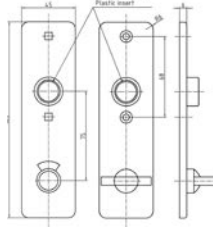
12.59F trim set for passage lock



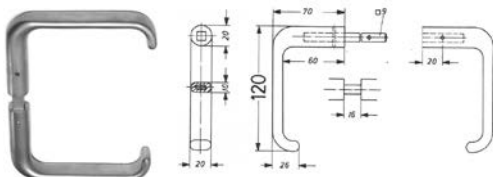
14.129 escutcheons for profile cylinder



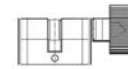
14.119 escutcheons for Privacy lock



14.109 Escutcheons for passage lock

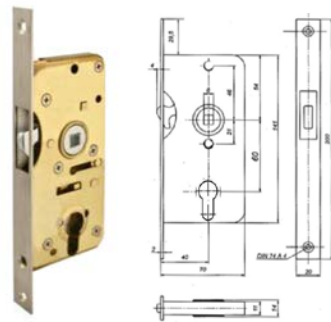


14.999 levers for rectangular escutcheon

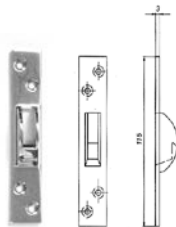


keyways: key/knob key/key: see page 0-5

All sliding mortise locks are 40 mm backset



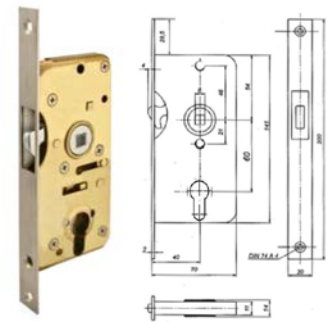
14.69Z entry sliding locks



14.69S strike



14.69W privacy sliding lock



14.69F passage sliding lock

For more lever trim sets: see Decorative Trim Section on Line



Izerwaren  
Order  
numbers

Trim available in the finish:  
Polished chrome plated brass  
Satin chrome plated brass  
Stainless steel (only 6645 and 6610/2210)

GSV trim fittings #5968 escutcheon: 30 x 130 mm  
attached Lever handle: 80 x 35 mm

- 12.968 **Entry** with skeleton key
- 12.68Z **Entry** with round cylinder PZ
- 12.68W **Privacy** with thumb-turn + indicator
- 12.68F **Passage** trim set

For 968 series locks see page 1-8



Key lock #18.968 Details see page 1-7 and 1-8.

GSV trim fittings #5969; Escutcheon: 70 x 30 mm  
attached Lever handles 100 x 42 mm;

- 12.59Z **Entry** trim for profile cylinder
- 12.596 **Entry** trim for bit key
- 12.59W **Privacy** trim
- 12.59F **Passage** trim

GSV flush trim fittings #4969;  
Escutcheon plates 65 x 45 mm  
attached Flush handle: 50 x 8 mm;

- 12.49Z **Entry** for profile cylinder
- 12.496 **Entry** with skeleton key
- 12.49W **Privacy**
- 12.49F **Passage**

For mortise locks, as below:



#16.04Z #14.69Z; see page 1-6-0

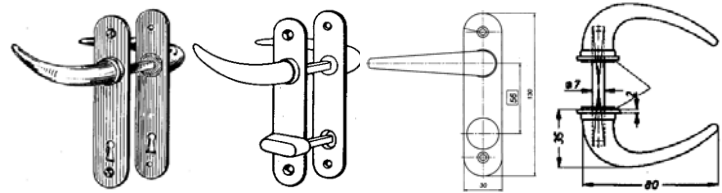
GSV trim fittings

- 14.999 **Lever handles** (2210) 120 mm long Stainless st. Sable style; details page 1-4-j
- 14.610 **Lever handles** (6610) Stainless st. "U" shape style; details upon request.
- 14.129 **Escutcheon plates** 165 x 45 mm (6645Z) details page 1-4-I
- 14.304 **Rose for levers** 50 mm Ø (3304)
- 14.60Z **Escn. Cylinder Rose** 50 mm Ø (3604Z) Escn.
- 14.604 **Rose for bit key** 50 mm Ø (3604)
- 14.40W **Thumb-turn/indicator with rose** (4405)

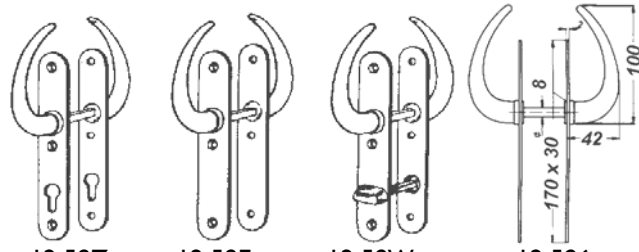
Trim set for full size locks, see below:



Full size entry lock #14.73Z2 page 1-4, and following



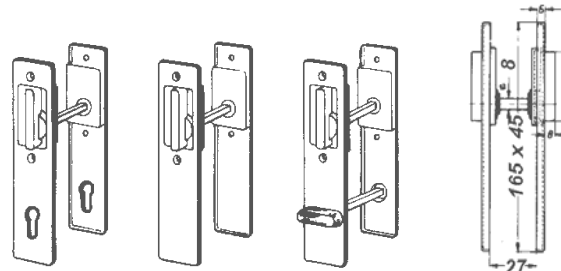
12.968 w. skeleton key;  
12.68W w. thumb-turn  
12.68Z w. round cylinder  
12.68F use with series 18.968 series locks.



12.59Z levers for swinging and sliding locks; use with #16.04Z swinging door lock and #16.69 series sliding door lock.



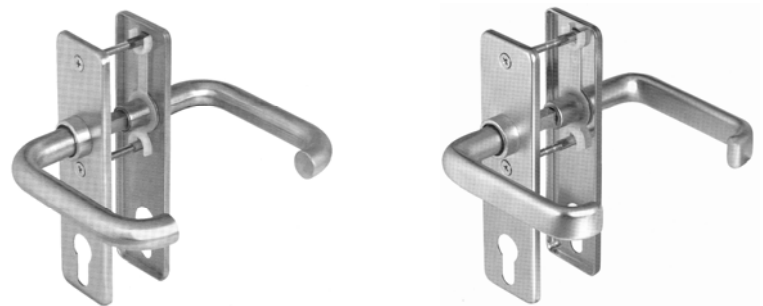
12.59Z



12.49Z Flush levers for sliding and pocket doors locks; use with #16.69Z series sliding door locks for 1 1/2" thick doors use with #16.30Z series sliding door lock for 1 inch thick doors see page 1-6-0



12.49Z



Escutcheon plates #6645Z Lever handles #6610 (left) #2210 (right) Stainless steel; use with full size locks of the 14.73Z series page 1-4



#3304 #3604Z #3604 #4405 / set thumb-turn/ indic. Roses are 50 mm diameter; brass chrome plated will fit with lever 2210 Brass chrome plates; Use with full size locks of the 14.73Z series

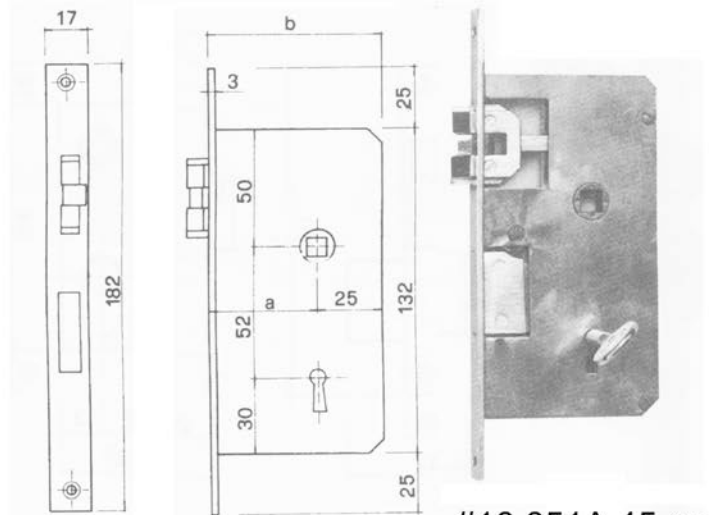
**“Olcese Ricci” Series Lock replacement****#16.651A 45 mm****#16.651B 75 mm**Antirattle mortise door lock complete of flat striking plate.  
Diecast brass with SS springs.

Front plate mm 17 x 182

Thickness mm

SIZE	a	b
A	45	70
B	75	100

A = Case 2 3/4" deep; 6 3/16" high; 1/2" thick; Face plate 11/16 x 7 3/16"  
 B = Case 4" deep; 5 3/16" high; 1/2" thick; Face plate 11/16 x 7 3/16"  
 for use with 8 mm spindle on lever and skeleton key for locking.



Entry lock 45 mm / 1 3/4" backset for use with skeleton key  
 Entry lock 75 mm / 3" backset for use with skeleton key.

**#16.651A 45 mm**  
**#16.651B 75 mm**

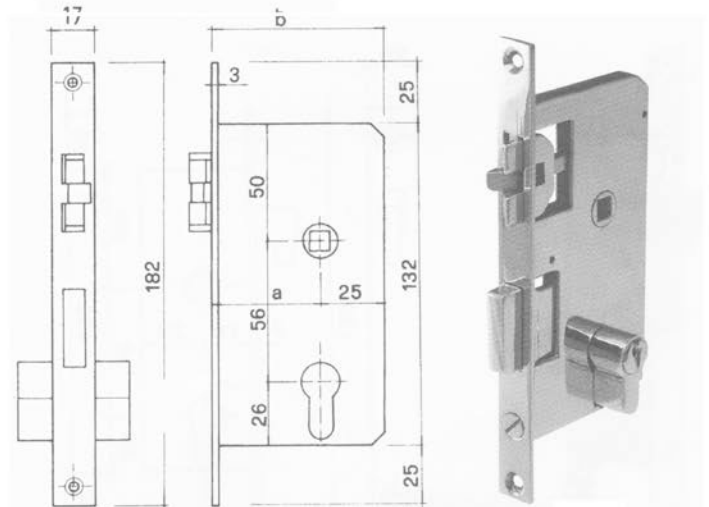
**#16.653A 45 mm****#16.653B 75 mm**Antirattle mortise door lock with cylinder and flat striking plate.  
Diecast brass with SS springs.

Front plate 17 x 182 mm

Thickness

Cylinder length

SIZE	a	b
A	45	70
B	75	100



Entry lock 45 mm / 1 3/4" backset for use with Profile cylinder  
 Entry lock 75 mm / 3" backset for use with Profile cylinder

**#16.653A 45 mm**  
**#16.653B 75 mm**

A = Case: 2 3/4" deep; 5 3/16" high; 1/2" thick; Face plate 11/16 x 7 3/16"; 8 mm spindle  
 B = Case 4" deep; 5 3/16" high; 1/2" thick; Face plate 11/16" x 7 3/16"; 8 mm spindle

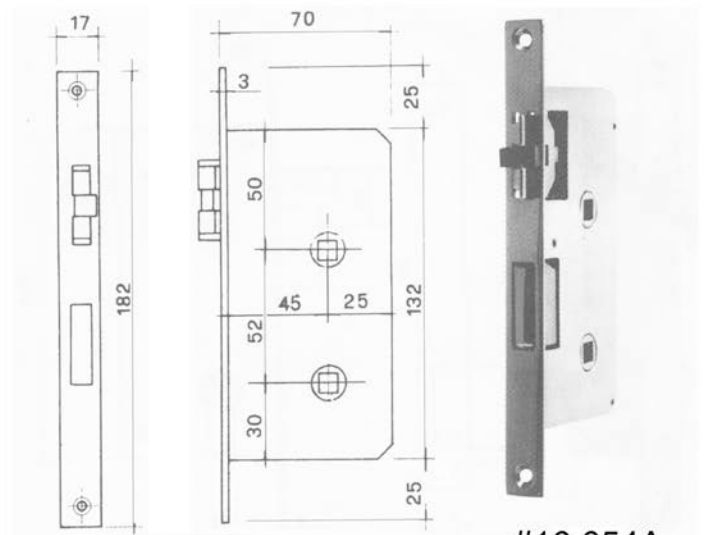
Strike plates are included when purchasing a lock. Please indicate left or right handing

**“OC” Series Lock replacements.****#16.654A 45 mm**

Antirattle mortise lock with flat striking plate.  
 Locked by turn bottom.  
 Diecast brass with SS springs.

**Front plate** 17 x 182 mm

**Thickness**



Privacy lock 45 mm / 1 3/4" backset

Case: 2 3/4" deep; 5 3/16" high; 1/2" thick; Face plate: 6/16" x 7 3/16"; 8 mm spindles

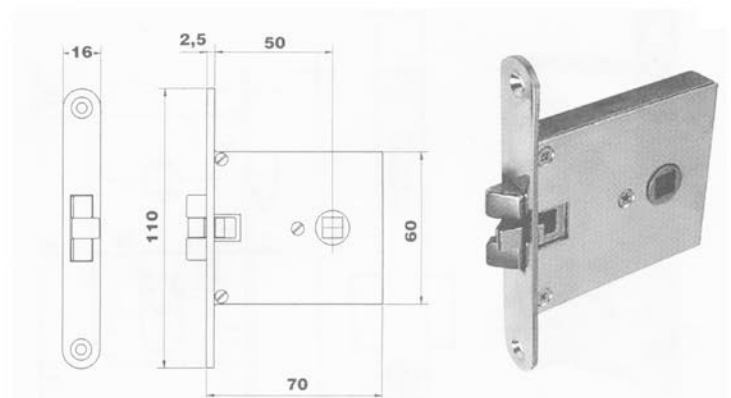
**#16.654A**

**#16.655 50 mm**

Mortise reversible lock.  
 Diecast brass with SS springs.

**Front plate** 16 x 110 mm

**Thickness**



Passage latch 50 mm / 2" backset

Case: 2 3/4" deep; 2 3/8" high; 1/2" thick; Face plate: 5/8" x 4 3/8"; 8 mm spindle

**#16.655**

Strike plates are included when purchasing a lock





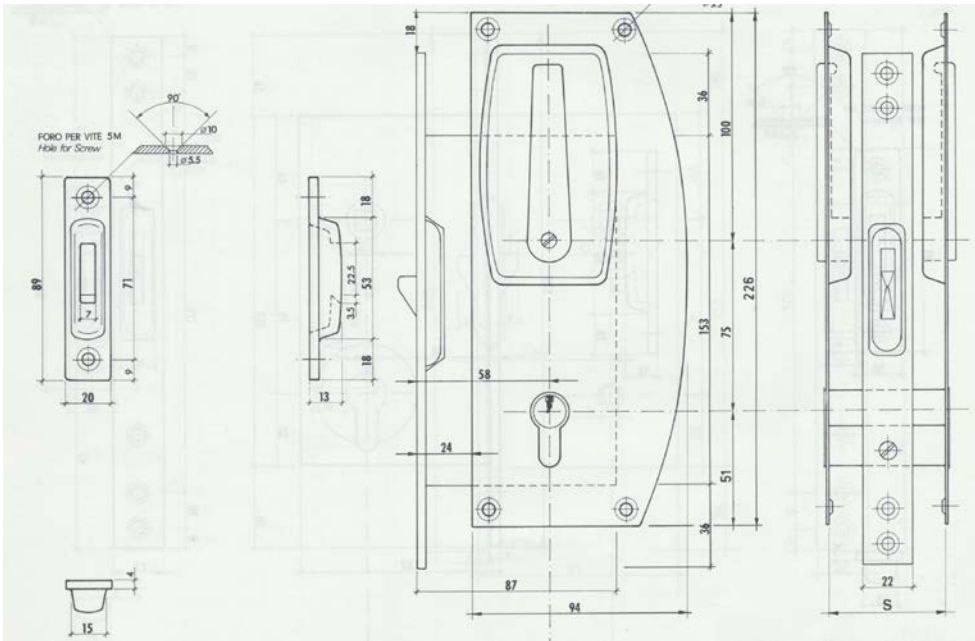
#18.3786 SET Entry Sliding door lock with Profile cylinder and strike box  
 Min. door thickness: 38 mm or 1 1/2 inch



#18.3838 Privacy Sliding Door lock with strike plate  
 min. door thickness: 25 mm



#18.3796 Passage Sliding door lock with strike plate  
 min. door thickness: 25 mm



#18.3786 Entry Lock set with Profile Cylinder keyway. 60 mm backset  
 S = Minimum door thickness is 32 mm or 1 1/2 inch.  
 S2 = Maximum door thickness for the standard keyway: 1 3/4 inch  
 For thicker doors please specify door thickness.  
 Stainless steel plates with brass parts.  
 Strike box brass chrome plated



Entry set #18.3448  
 With skeleton keys (2X)  
 Minimum Door thickness  
 25 mm or 1 inch

**R & C SWINGING DOOR LOCKS  
 SEE PAGE I-13-C-B:**



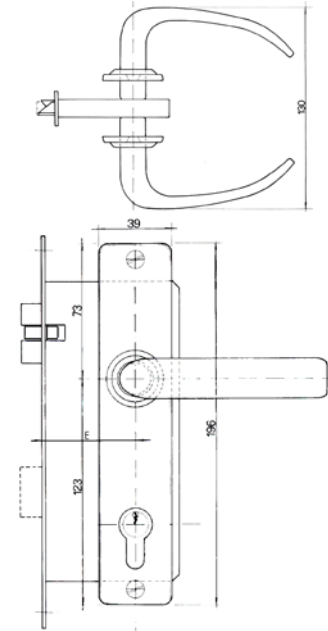
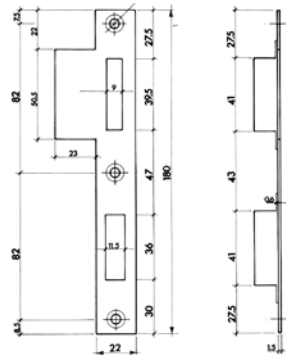
#18.3372 strike box for entry lock only



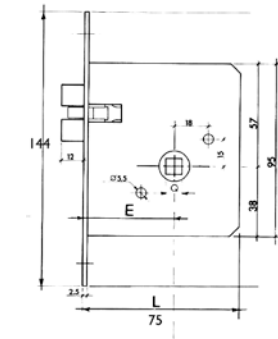
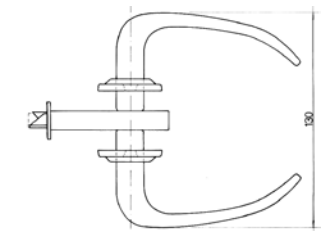
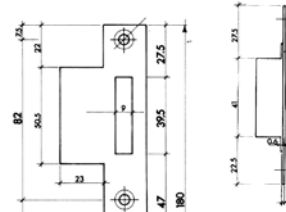
#18.3447 Strike plate for privacy lock #18.3838 and passage lock #18.3796



**R & C SWINGING DOOR LOCKS**



18.2035 SET; Entry Lock; 370 mm backset. Face plate: 212 x 22 x 2 mm; Lock case: 165 high x 75 wide x 13 mm thick. Escutcheon plate: 196 x 38 mm, Lever 110 mm long overall. Marine grade; stainless steel and brass chrome plated parts.

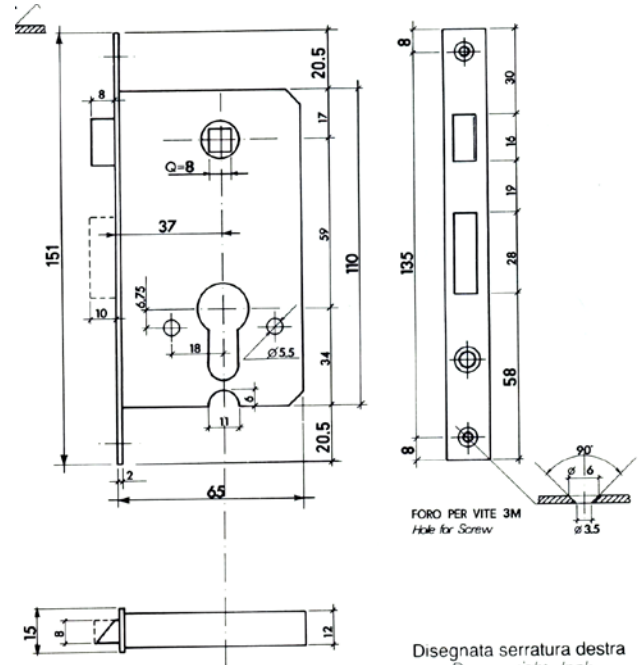
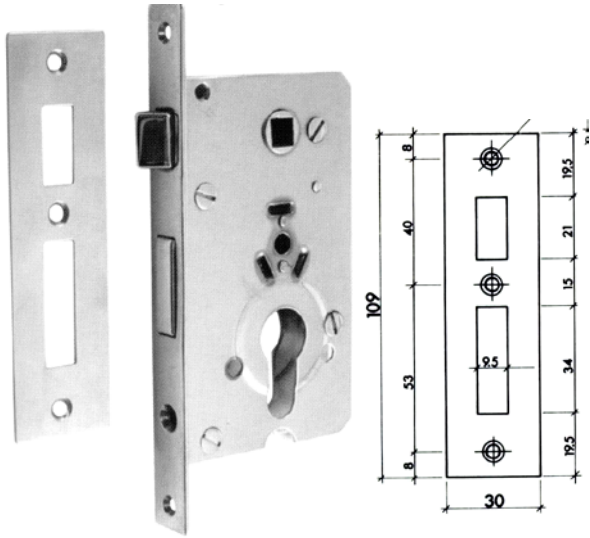


#18.2031 SET Passage door lock 50 mm backset. Face plate: 144 x 22 x 2 mm; Lock case: 95 high x 75 wide x 13 mm thick. Escutcheon plate: 196 x 38 mm, Lever 110mm long overall. Marine grade; stainless steel and brass chrome plated parts.

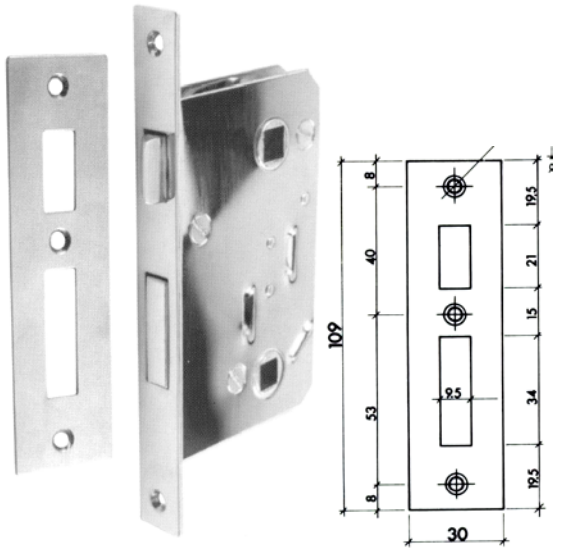
- #18.203512 Entry lock separate
- #18.2036 Strike plate for entry lock separate
- #18.3125 Levers pair separate
- #18.3992 Escutcheons for entry lock separate
- #18.204112 Passage latch separate
- #18.2032 Strike for passage latch
- #18.2041 Escutcheons for passage latch separate



**NEW!** R & C SWINGING DOOR LOCKS FOR SMALL DOORS MINIMUM DOOR THICKNESS 1 INCH



18.3483 SET with escutcheons and levers; Entry Lock; 37 mm (1 1/2) backset.  
 Face plate: 151 x 15 x 2 mm; Lock case: 110 high x 65 wide x 12 mm thick. Center to Center PC: 59  
 Escutcheon plate: mm, Lever mm long overall.  
 Marine grade; stainless steel and brass chrome plated parts.



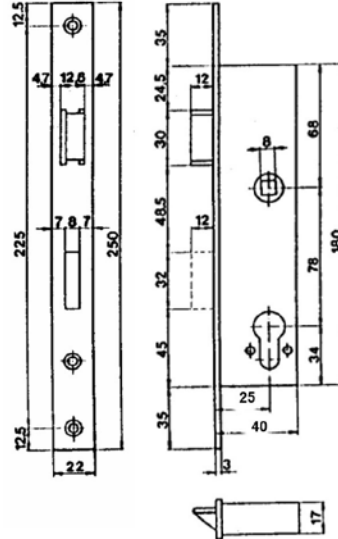
18.3474 SET with escutcheons and levers; Entry Lock; 37 mm (1 1/2) backset.  
 Face plate: 133 x 15 x 2 mm; Lock case: 93 high x 55 wide x 12 mm thick. Center to Center spindle hole: 62 mm  
 18.3819 Escutcheon plate: 135 x 25 mm, 18.3485 Lever 84 x 38 mm long overall.  
 Marine grade; stainless steel and brass chrome plated parts.

- #18.348337 Entry lock separate
- #18.3472 Strike plate for entry lock separate
- #18.3485 Levers pair separate
- #18.3840 Escutcheons for entry lock separate
- #18.347437 Privacy latch separate
- #18.3472 Strike for privacy latch
- #18.3819 Escutcheons for privacy lock separate
- #18.402337 Passage latch; 18.3818 passage escutcheons; (latch not showing)



Izerwaren  
Order  
numbers

**FOR NARROW STILE DOORS**



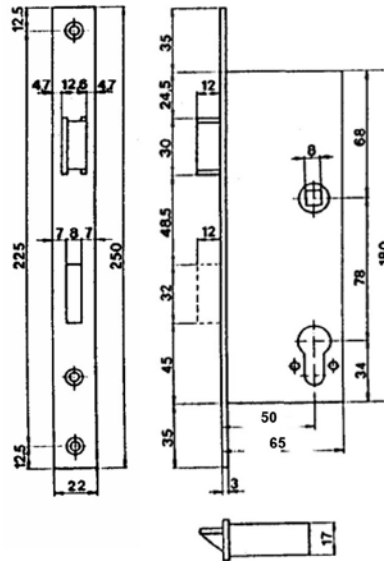
**COMPLETE SET**

19.82Z.25

**Full Set Entry Lock**  
**25 mm backset ~ 1 inch**  
Front plate 250 x 22 mm  
For 8x8 mm spindle  
304 stainless steel  
Stile 55 mm wide 2 3/16 inch (wood)  
Stile 50 mm wide- 2 inch (aluminum)

Case 180 x 40 x 17 mm  
Backset 25 mm

#19.82Z Lock Separate. Strike Plate #14.0031  
Narrow backset mortise entry lock  
**Backset: 1 inch**  
lock case: 1 9/16 x 7 1/8" x 3/4" thick  
lock plate: 7/8" x 9 7/8"  
**Minimum Stile width: 2 1/4"**



**COMPLETE SET**

19.83Z50

**Full Set Entry Lock**  
**50 mm backset ~ 2 inch**  
Front plate 250 x 22 mm  
For 8x8 mm spindle  
304 stainless steel  
Stile width: 65 mm / 2 5/8 inch

Case 180 x 65 x 17 mm  
Backset 50 mm

#19.83Z separate. Strike Plate #14.0031  
Narrow backset mortise entry lock  
**Backset: 2 inch**  
lock case: 2 9/16" x 7 1/8" x 3/4" thick  
lock plate: 7/8" x 9 7/8"  
**Minimum Stile width: 3 3/8"**

**Trim Separate:**



Escutcheon #12.417 220 x 36 mm (8 5/8 inch x 1 3/8 inch) Lever #12.021  
Escutcheon #12.222 220 x 45 mm (8 5/8 inch x 1 3/4 inch) Lever #12.527  
More Trim Details: Page 1-1-2 and 1-2.

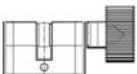
**Functions:**

**Privacy or Entry**

Functions available through Profile Cylinder set up

19.83Z

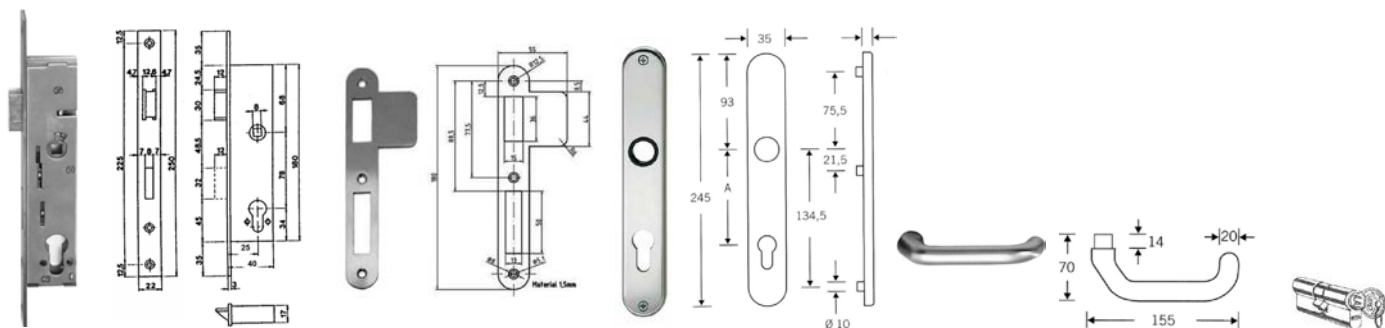
**Entry Mortise Lock separate**  
**50 mm backset**



05.405

**Profile cylinder #1400 series**  
Specify door thickness and function.  
See page 0-5 for details

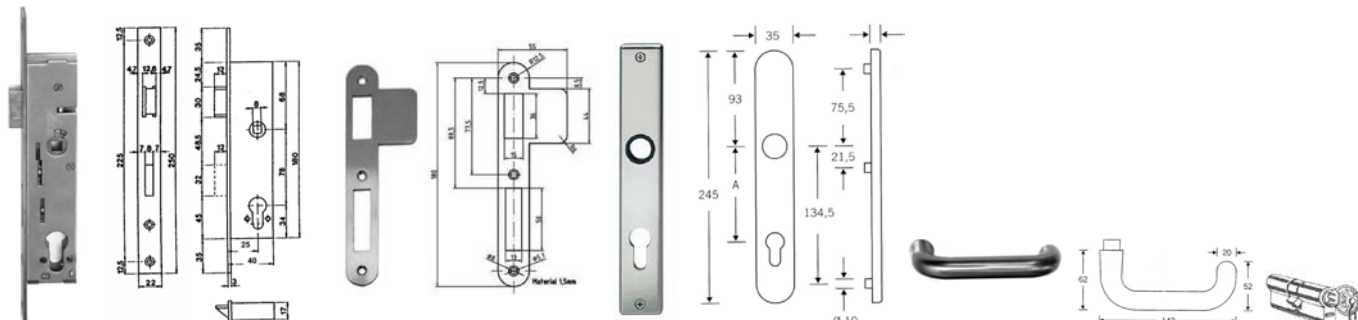
**Detail Trim Sets:**  
**See page 1-9-1**



**SET #19.83Z25;** 25 mm backset or 1 inch; all parts shown separately:  
19.82Z; lock 25 mm backset 14.003I strike 12.417 escutcheon

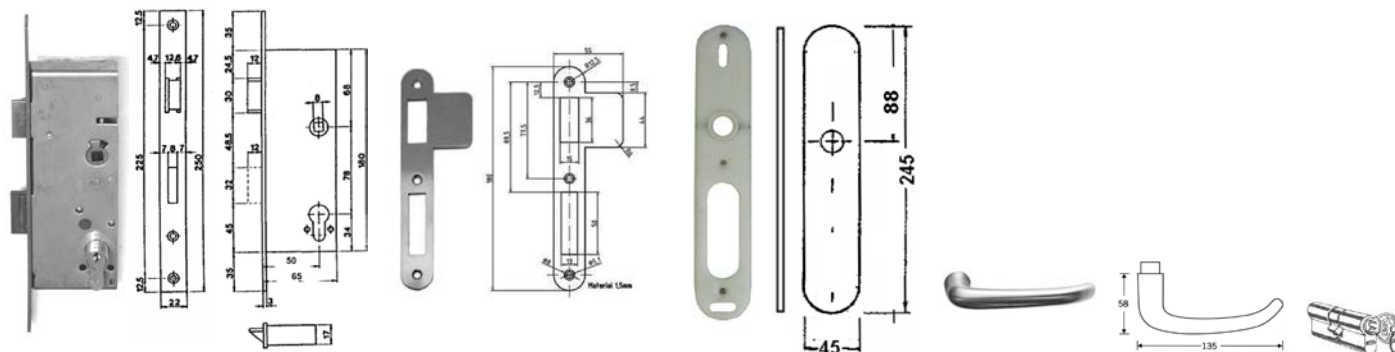
12.021 lever

05.488 keyway



**SET #19.88Z25;** 25 mm backset or 1 inch; Rectangular escutcheons, all parts shown separately:  
19.82Z; lock 25 mm backset 14.003I strike 12.416 escutcheon square 12.045 lever

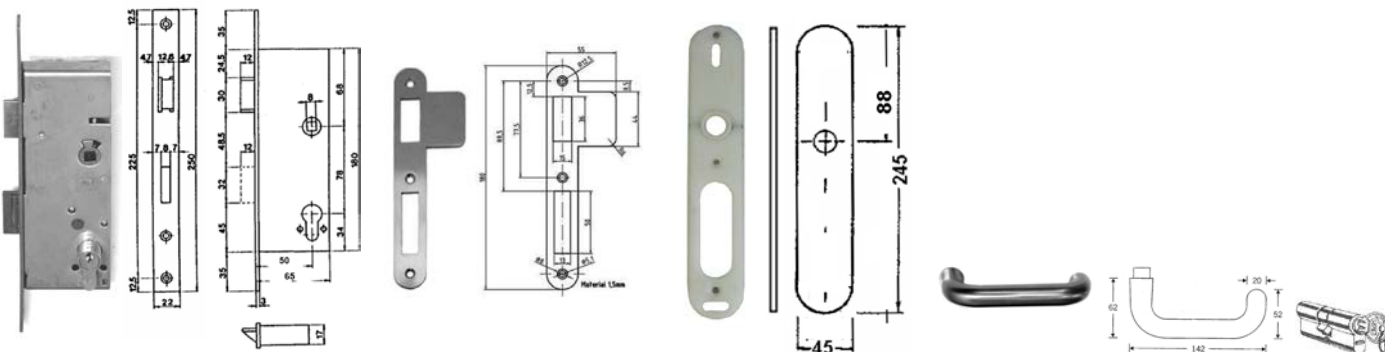
05.488 keyway



**SET 19.83Z50;** 50 mm backset or 2 inch; all parts shown separately:  
19.83Z; Lock 50 mm backset 14.003I strike 12.222 escutcheon

12.527 lever;

05.488 keyway



**SET #19.88Z50;** 50 mm backset or 2 inch; all parts shown separately:  
19.83Z Lock; 14.003I strike 12.222 escutcheon

12.045 lever;

05.488 keyway



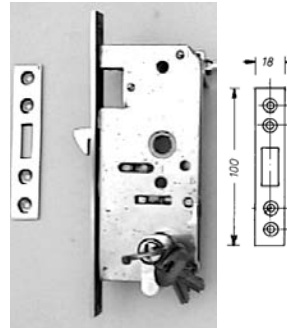
Izerwaren  
Order  
numbers

- Mortise Sliding Door locks, backset 40 mm - 1 9/16"
- Minimum door thickness 23 mm - 7/8"
- Solid brass hook bolt; Strike plate included with lock
- With square corners on lock & strike plate
- Finish: Polished Chrome Plated Brass

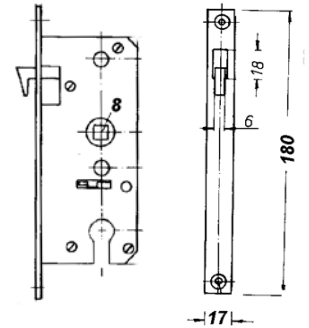
**LIGHT DUTY up to 50 lbs**

**14.481 Entry Sliding Mortise Lock, Light Duty For doors up to 50 lbs.**

40 mm backset - for use with profile cylinder  
Center spindle hole to center key hole: 60 mm  
Case: 62 mm x 140 mm x 12 mm thick  
Front plate 180 x 17 mm  
8x8 mm spindle / door lever handles



#14.481 Profile Cylinder



#14.481 PC sliding lock, hook bolt

**LIGHT DUTY up to 50 lbs**

**14.491 Entry Sliding Mortise Lock, Light Duty**  
40 mm backset - for use with skeleton key

**14.485 Strike plate**

**14.471 Privacy Sliding Mortise Lock, Light Duty**

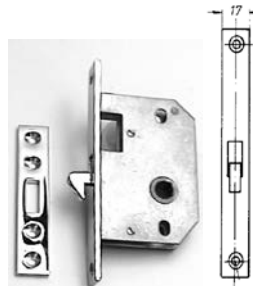
Center spindle hole to center key hole: 60 mm  
Case: 62 mm x 140 mm x 12 mm thick  
Front plate 180 x 17 mm  
8x8 mm spindle / door lever handles  
7x7 mm for thumb-turn:

**14.485 Strike plate**

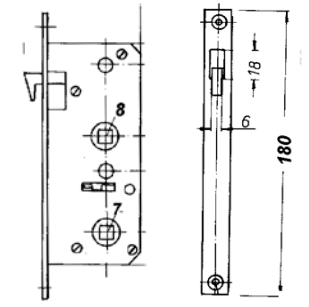
**14.891 Passage Sliding Mortise Lock, brass, Light Duty**

Case: 62 mm x 140 mm x 12 mm thick  
Front plate 180 x 17 mm  
For 8x8 mm spindle / door lever handles

**14.485 Strike plate**



#14.891 passage sliding latch



#14.471 WC sliding lock, hook bolt

**MEDIUM DUTY up to 110 lbs**

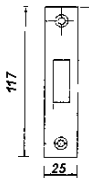
**STAINLESS STEEL SLIDING DOOR LOCKS**

- backset 40 mm - 1 9/16" and backset 18 mm ~ 3/4"
- Minimum door thickness 28 mm - 1 1/8"
- Stainless steel hook bolt
- Strike plate included with lock
- For up to 110 lbs doors

**14.152 Entry Sliding Mortise Lock Heavy Duty (6152)**

Center spindle hole to center key hole: 92 mm  
Case: 61 mm x 194 mm x 15 mm thick  
Front plate 250 x 25 mm  
8x8 mm spindle / door lever handles

**14.155 Strike plate 117 x 25 x 4 mm (6152)**



**14.C19 Entry Sliding Mortise Lock Heavy Duty (14.C19)**  
18 mm backset or 3/4 inch

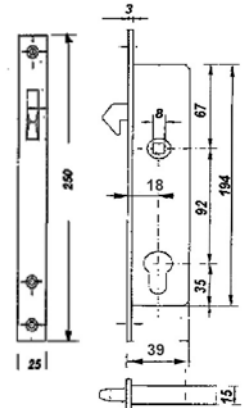
**Also available as Privacy and Passage Lock**  
Entry or Privacy function determined by Profile Cylinder



picture: Entry function; Key-Key.  
See page 0-5-1 for details



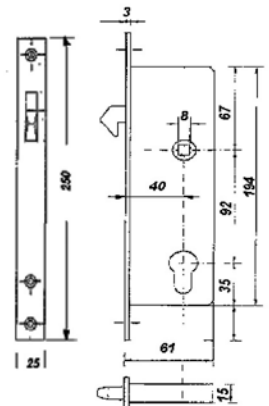
Lock #14.C19  
18 mm backset  
For trim see page #1-14-A



Lock #14.C19  
3/4" backset



Lock #14.152  
Strike #14.155  
40 mm backset  
For trim see page #1-14-A



Lock #14.152  
40 mm or 1 9/16" backset

**For complete sets: See page 1-14-A and 1-14-B**



Complete set stainless steel sliding door lock

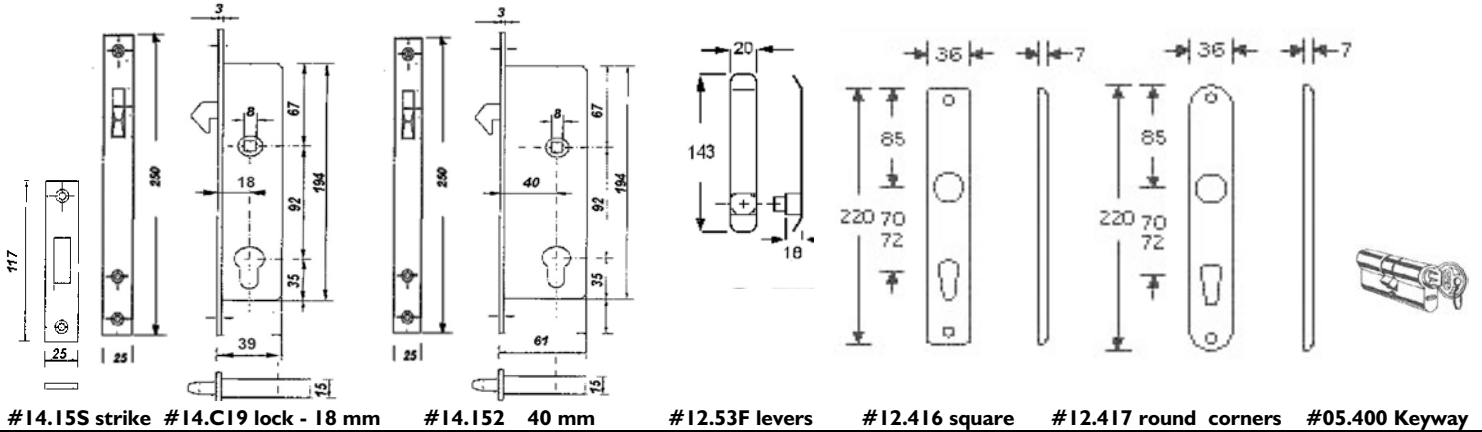


#14.NFS.008 -with 18 mm or 3/4" backset.  
with semi flush levers, protruding 27 mm from the surface of the door.

Complete set stainless steel sliding door lock



#14.NFS.009 with 40 mm ~ 1 9/16" backset  
with semi flush levers, protruding 27 mm from the surface of the door



#14.15S strike #14.C19 lock - 18 mm #14.152 40 mm #12.53F levers #12.416 square #12.417 round corners #05.400 Keyway

Stainless steel sliding door lock with levers and escutcheons.

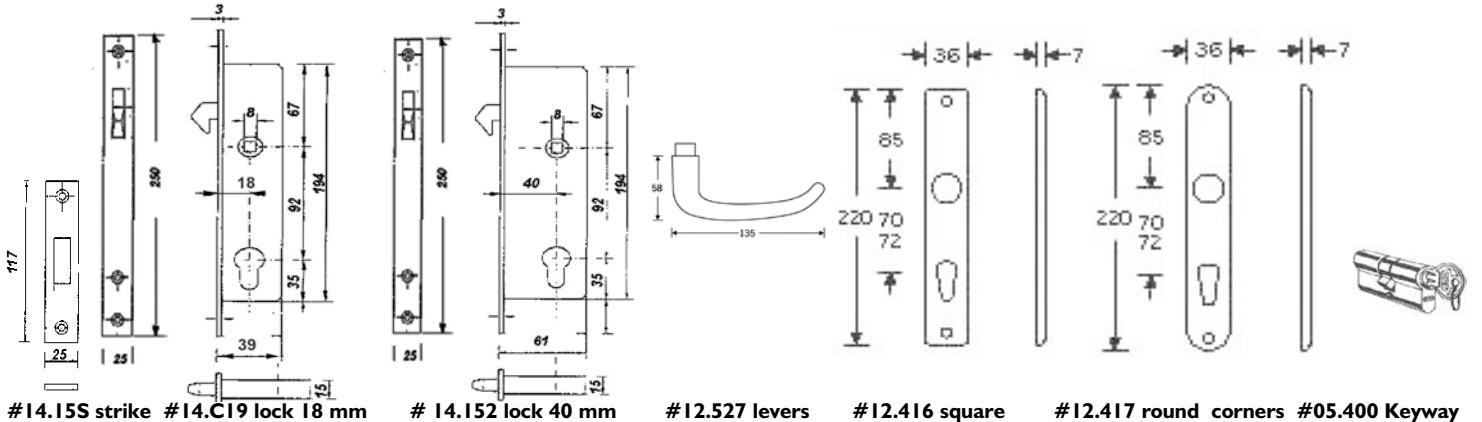


#14.NSS.008 Complete set with 18 mm or 3/4" backset.

Stainless steel sliding door lock with levers and escutcheons.



#14.NSS.009 Complete set. 40 mm ~ 1 9/16" backset



#14.15S strike #14.C19 lock 18 mm #14.152 lock 40 mm #12.527 levers #12.416 square #12.417 round corners #05.400 Keyway



Complete set stainless steel sliding door lock

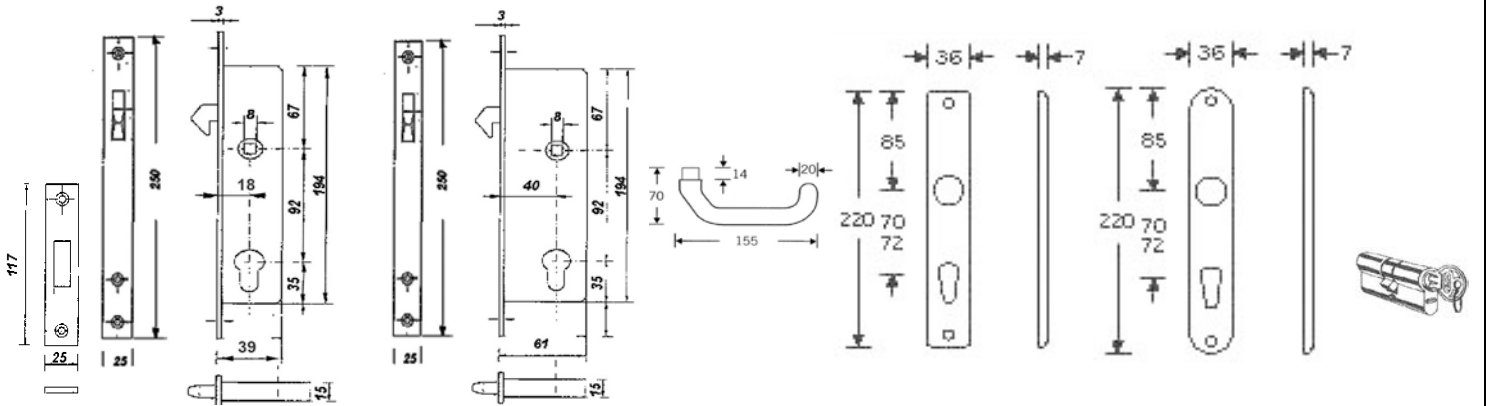


#14.NCFS.008 -with 18 mm or 3/4" backset with cropped levers

Complete set stainless steel sliding door lock



#14.NCFS.009 with 40 mm ~ 1 9/16" backset backset with cropped levers



#14.15S strike #14.C19 lock - 18 mm #14.152 40 mm #12.021 levers #12.416 square #12.417 round corners #05.400 Keyway

Complete set stainless steel sliding door lock

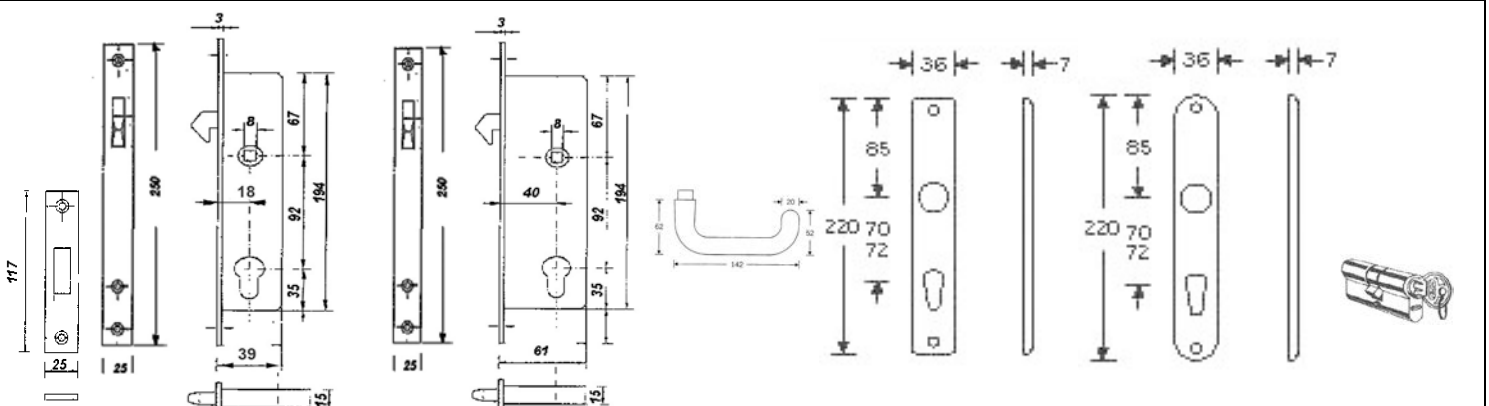


#14.NUFS.008 -with 18 mm or 3/4" backset with U shape levers

Complete set stainless steel sliding door lock

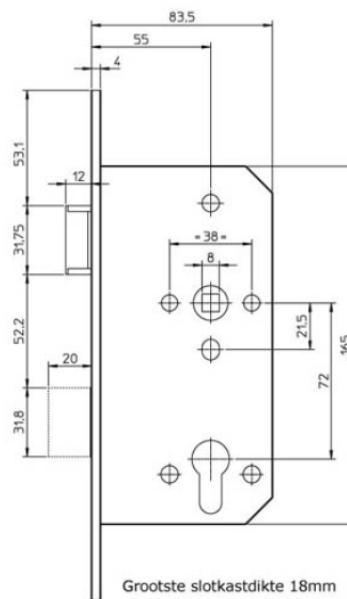
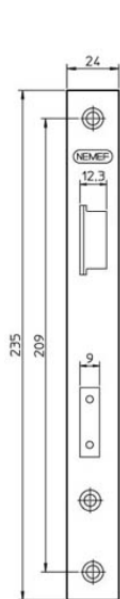
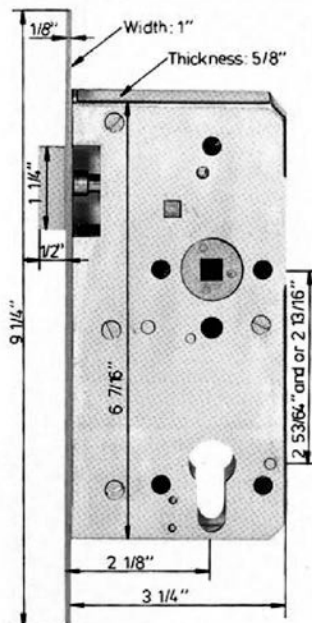


#14.NUFS.009 with 40 mm ~ 1 9/16" backset backset with U shape levers



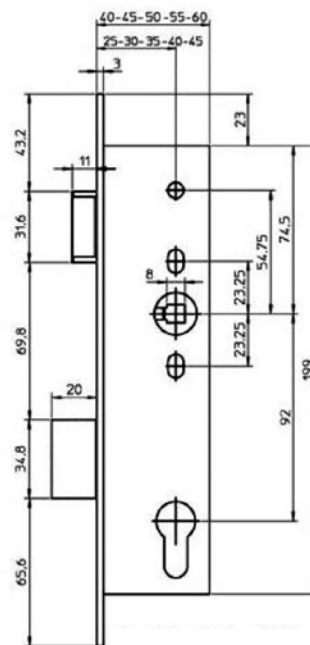
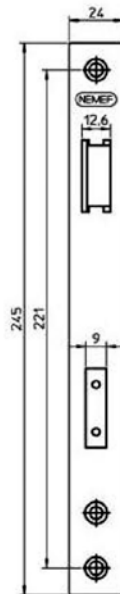
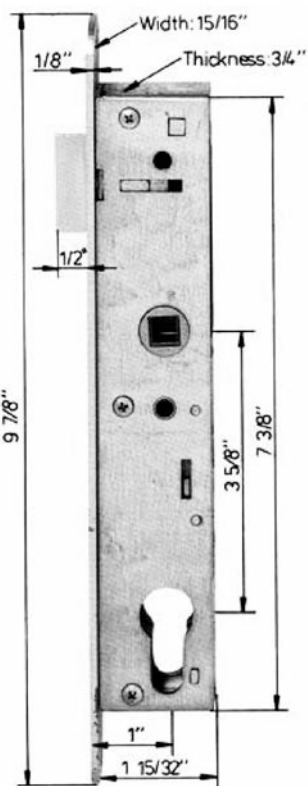
#14.15S strike #14.C19 lock - 18 mm #14.152 40 mm #12.045 levers #12.416 square #12.417 round corners #05.400 Keyway





Original Jado lock 459/457/200

replacement Nefef Lock #440I order number #18.459 finish: satin stainless only



case 18 mm thick; 199 x 40mm lock nefef 4169 -25 mm backset

Jado 459/451/045 lock with 1 inch backset

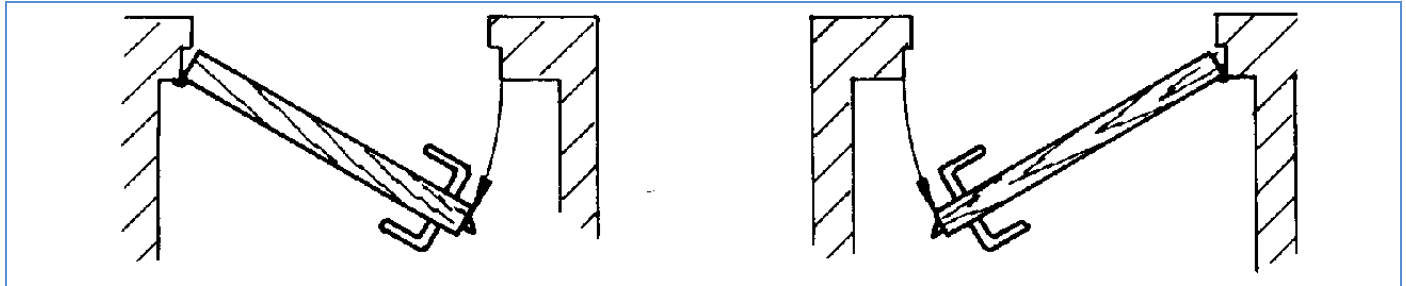
Nefef replacement 4169 Order number: #18.416 satin stainless steel

For our full Decorative Door Hardware Program, including Jado Levers, please check our website on line



### Standard European (DIN) Handing for Mortise Locks and Swinging Doors:

**OUTSIDE**



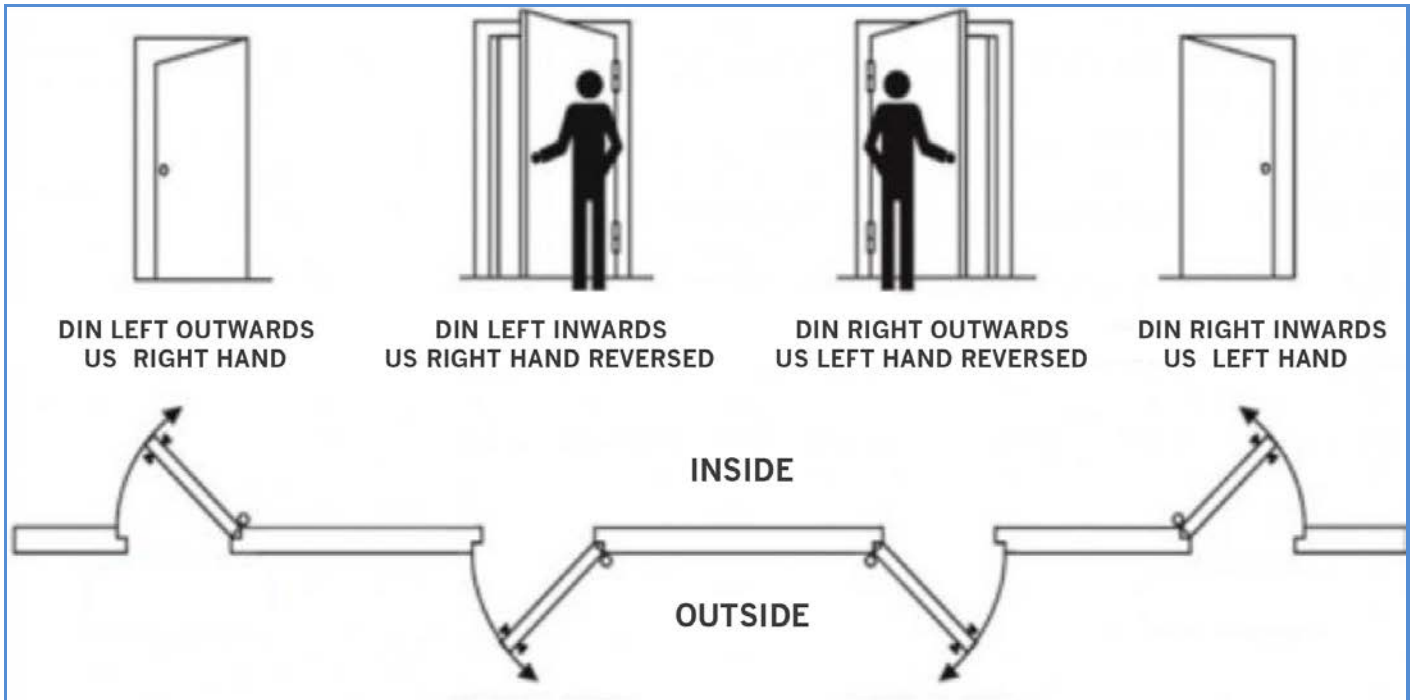
**INSIDE**

**DIN LEFT HAND**

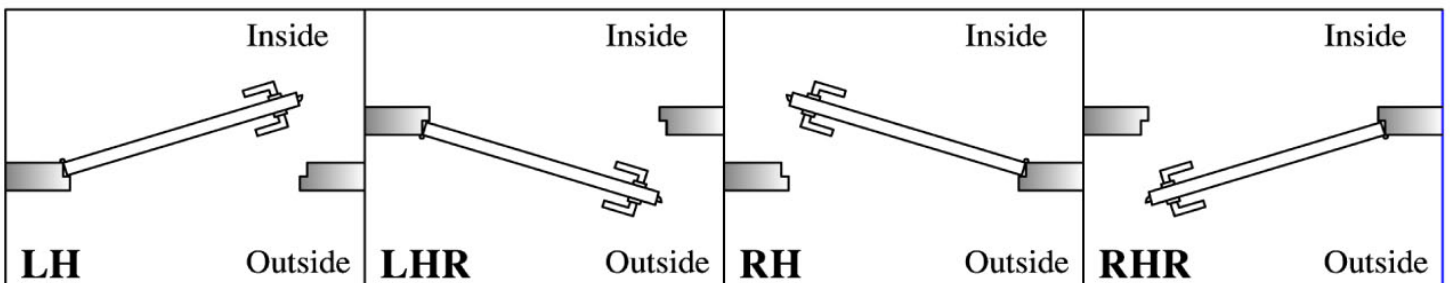
**DIN RIGHT HAND**

The DIN Standard applies to most Mega Yachts Door Schedules.

### Handing Door Schedules for: Residential European (DIN) and Residential American (US) Swinging Door the following schedule applies, showing DIN Standard and US Standard:

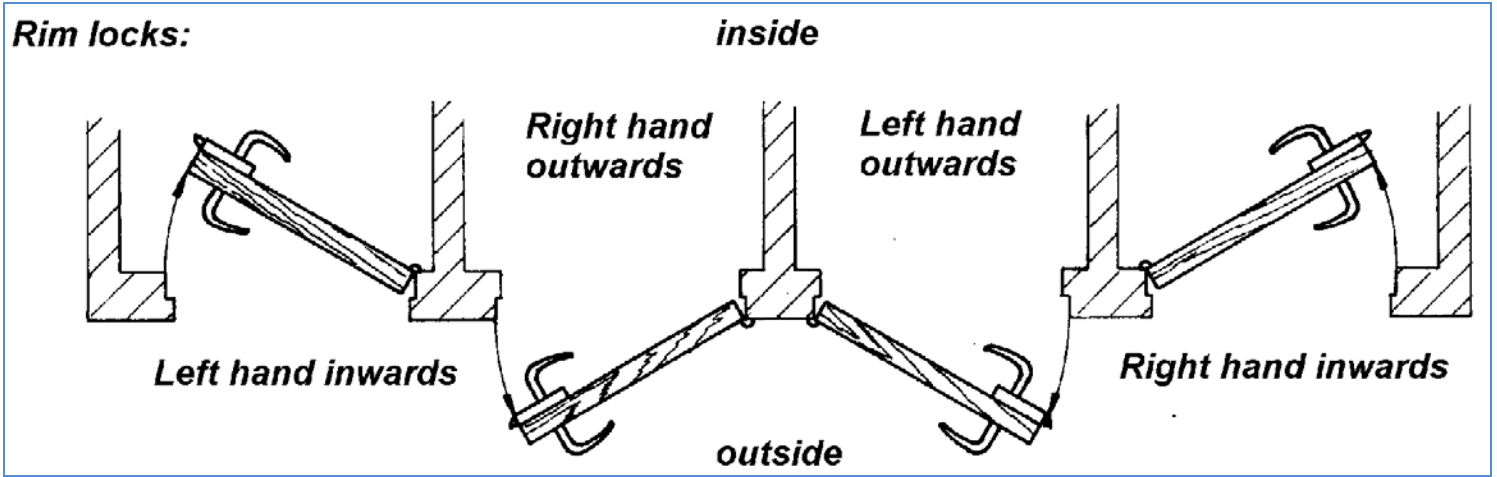


### Standard US Handing schedule:

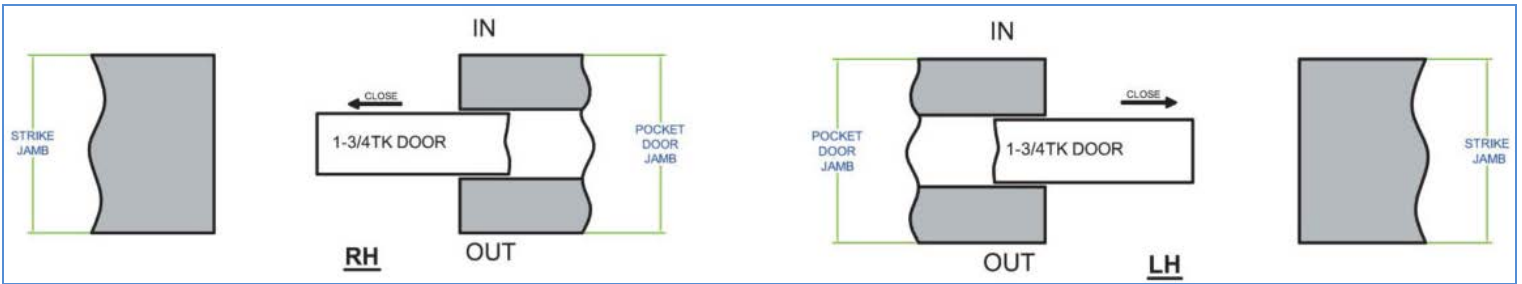




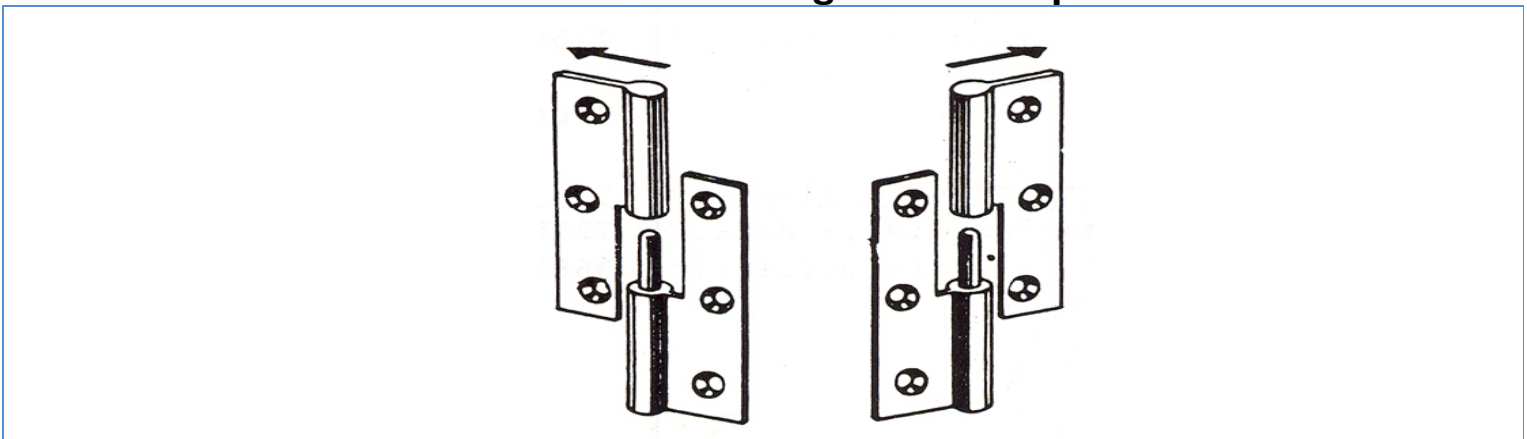
### HANDING OF RIM MOUNTED LOCKS EUROPEAN DIN STANDARD:



### HANDING OF POCKET DOORS US STANDARD:

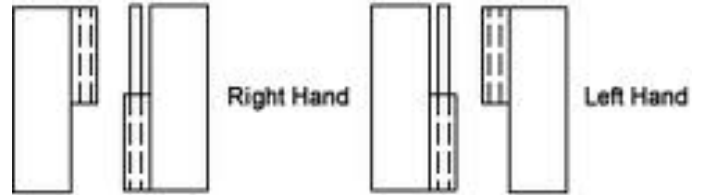
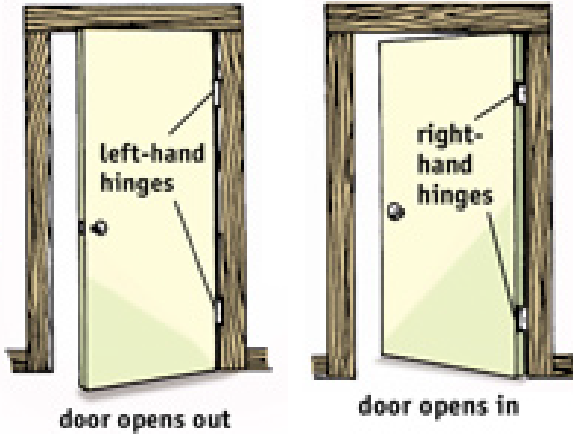


### HANDING of LIFT OFF HINGES according to the European DIN Standard:





### Standard US Hinges Handing



### Handing For Standard US Butt Hinges and Lift Off Hinges (Slip Joint Hinges)

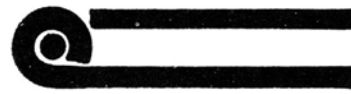


### Handicapped Code Full Away Swinging Hinges and Butt Hinge Installation

### Hinge Swaging



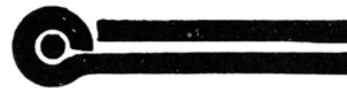
Hinge not swaged — figure 1



Hinge not swaged — figure 2



Hinge swaged (standard) — figure 3



Hinge swaged (standard) — figure 4


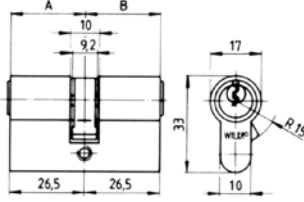

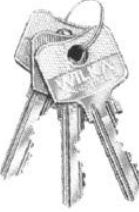
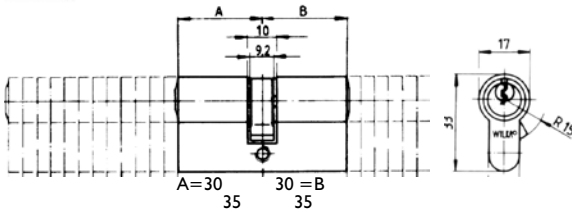

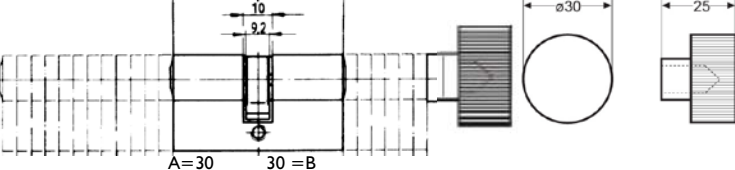


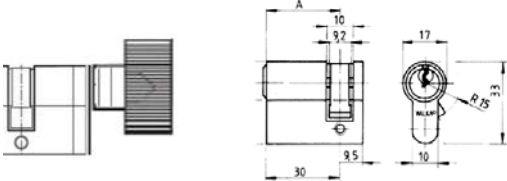






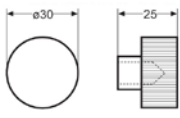

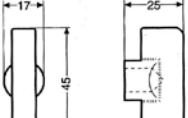





\*Hinge with one leaf swaged — figure 5



\*Hinge with one leaf swaged flat — figure 6



Order number		Material	Specifics	Finish
 Picture Profile Cylinder key/key Series #05.488 Small: 53 mm overall length				
05.488.566	key/key	Brass	A= 26.5 mm B= 26.5 mm key-key; satin chrome	
05.488.266	key/key	Brass	A= 26.5 mm B= 26.5 mm key-key; polished chrome	
05.407.566	key/knob	Brass	A= 26.5 mm B= 26.5 mm key-knob; satin chrome	
05.407.266	key/knob	Brass	A= 26.5 mm B= 26.5 mm key-knob; polished chrome	
 Picture Profile Cylinder key/key series #05.400 62 MM OVERAL LENGTH UP TO 182 MM OVERAL LENGTH WITH INCREMENTS OF 5 MM ALSO AVAILABLE ACYMETRIC		 Key blanks #05.150 nickel		
05.400.566	key/key	Brass	A= 30 mm B= 30 mm key-key; satin chrome	
05.400.266	key/key	Brass	A= 30 mm B= 30 mm key-key; polished chrome	
 Picture: Profile Cylinder key/knob Series #05.405 Specify Knob (knob depicted: #05.502) 62 MM OVERAL LENGTH UP TO 182 MM OVERAL LENGTH NOT COUNTING THE KNOB WITH INCREMENTS OF 5 MM - ALSO ACYMETRIC				
05.405.566	key/knob	Brass	A= 30 mm B= 30 mm key-key; satin chrome	
05.405.266	key/knob	Brass	A= 30 mm B= 30 mm key-key; polished chrome	
 Half keyway #05.415 key/- UP TO 90 MM			 Half knob #05.416 knob/- special order	
05.415.566	Key/ - 30 - 0	Brass	A= 30 mm B= 0 mm key---; satin chrome	
05.415.266	Key/ - 30 - 0	Brass	A= 30 mm B= 0 mm key---; polished chrome	
05.416.566	Knob/ - 30 - 0	Brass	A= 30 mm B= 0 mm key---; satin chrome	
05.416.266	Knob/ - 30 - 0	Brass	A= 30 mm B= 0 mm key---; polished chrome	
 #05.502				
 #05.602				
 #05.762				
 #05.517				
 #09.P07				
 #09.P05				
 #05.502				
 #05.602				
 #05.762				
 #05.008				
 #13.J454				
 #13.J453				



<p>Profile cylinder, 60 mm, privacy (slotted bolt/knob) Profile cylinder, 60 mm, privacy (slotted bolt/key)</p>		<p>A=30 B=30 A=30 30=B</p>	
05.489	Slotted bolt/key	A= 30 mm slotted bolt	B= 30 mm key
05.487	Slotted bolt/knob	A= 30 mm slotted bolt	B= 30 mm knob
<p>Escutcheon pair: #14.129.508 with 1 cylinder cover #05.599</p>		<p>#05.599      #05.5991 Profile cylinder covers, spring loaded.</p>	
<p>#05.599 Profile cylinder cover, spring loaded. 12 mm</p>		<p>#05.5991 Profile cylinder cover, spring loaded. 17 mm</p>	
05.599.608	PC cover 3 mm	Stainless steel	
05.5991.606	PC cover 8 mm	Stainless steel	
<p>Round Cylinders for small locks and cabinet locks</p>		<p>#05.590 Round key nickel</p>	
<p>Cabinet rim lock #21.73Z; 25 mm backset with keyway #05.522</p>		<p>#21.73Z Cabinet rim lock with round cylinder see catalog page 2-1 See on line: <i>lzerwaren.com: Door hardware / Cabinet door hardware / Details marine slam latches / page 2-1.</i></p>	
05.522	round cylinder 22 mm	Brass/chrome	
05.525	round cylinder 25 mm	Brass/chrome	
05.530	round cylinder 30 mm	Brass/chrome	
05.535	round cylinder 35 mm	Brass/chrome	